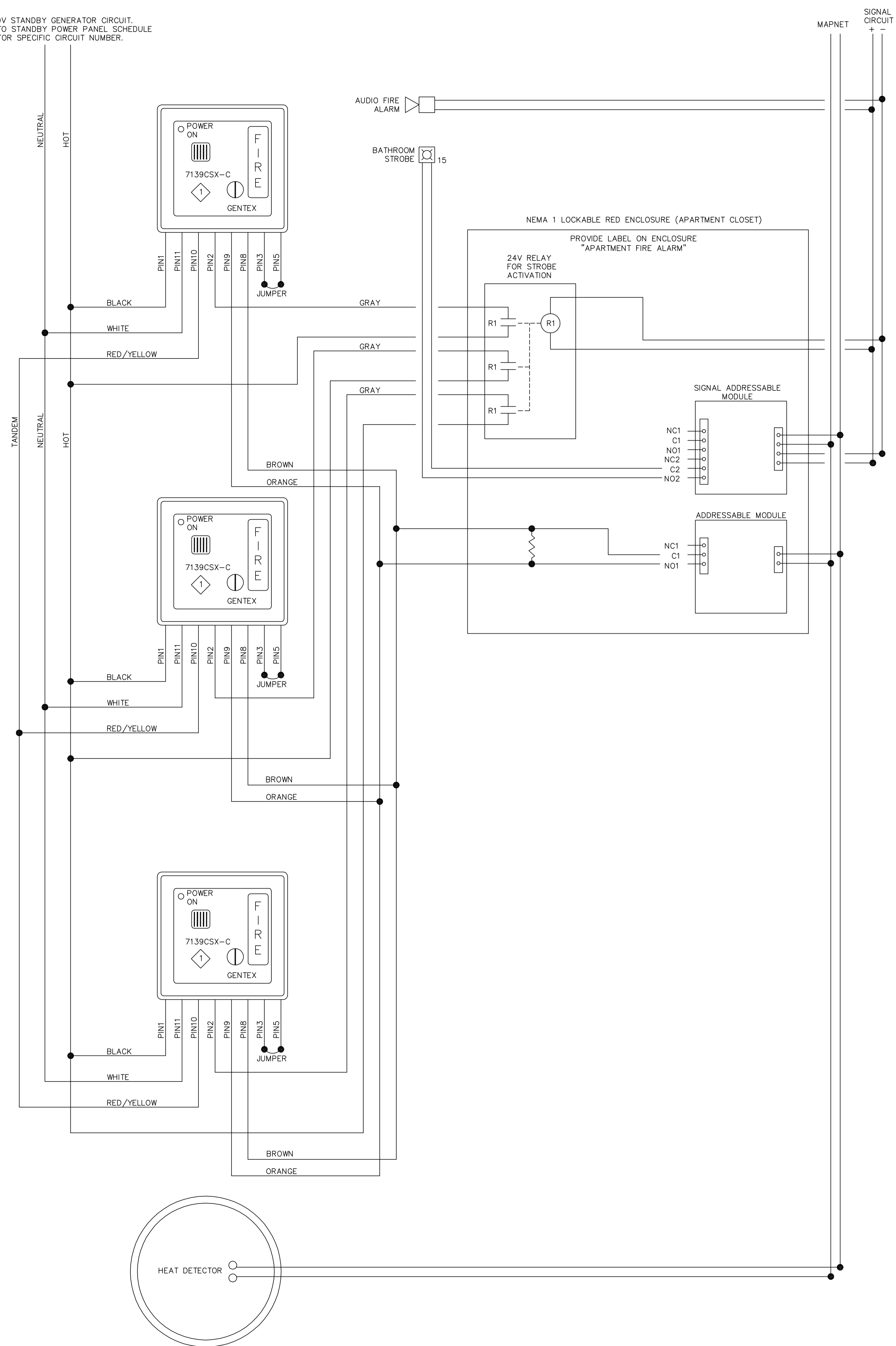


120V STANDBY GENERATOR CIRCUIT.
REFER TO STANDBY POWER PANEL SCHEDULE
FOR SPECIFIC CIRCUIT NUMBER.



- DRAWING NOTES:**
- ① GENTEX 7139CSX-C SMOKE DETECTOR:
 - 120 VOLT WITH 9VDC BATTERY BACKUP
 - 177 CANDELA UL 1971 LISTED STROBE
 - FORM 'C' CONTACT
 - CEILING MOUNT
 - ABILITY TO ACTIVATE STROBE FROM FIELD MOUNTED RELAY

(A) ONE/TWO BEDROOM APARTMENT INITIATION AND NOTIFICATION DEVICE WIRING DIAGRAM
SCALE: NONE

NOTES:
1. REFER TO PLAN DRAWINGS FOR EXACT QUANTITY OF DEVICES

NOTICE

This document, the property of, prepared and issued by the architect, is submitted for the specific project named and the recipient by accepting this document assumes custody and agrees that this document will not be copied or reproduced in part or in whole, and any special features peculiar to this design shall not be incorporated in any other project, unless prior agreement has been obtained in writing. These documents will be returned immediately upon completion of the project or upon the request of the architect.

This document is the exclusive property of the architect, no rights to ownership are transferable, or shall be lost by the filing of this document with any and all public authorities for the purpose of compliance with Codes and or Ordinances, i.e. Building Permit, etc.

ERDMAN ANTHONY

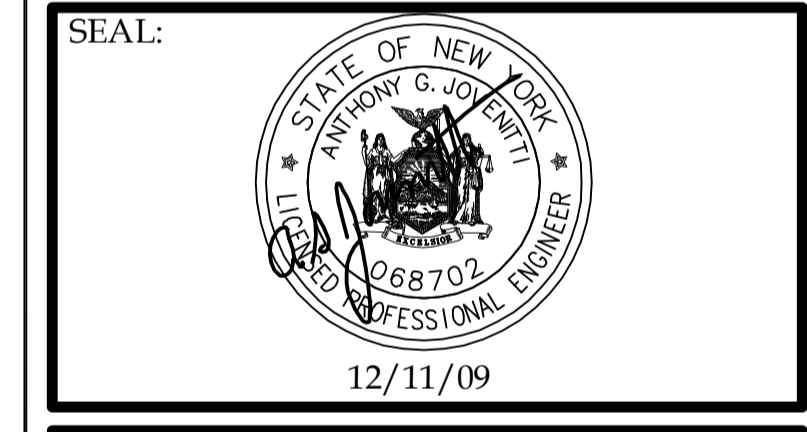
2165 Brighton Henrietta Town Line Rd.
Rochester, NY 14623-2755
Telephone 585 427 8866
Facsimile 585 427 8914
www.erdmananthony.com

CHURCH OF THE HOLY FAMILY SENIOR APARTMENTS

920 TIFFT ST.
BUFFALO, NY 14220

REVISIONS:

SA PROJECT TEAM:	PRINCIPAL P. Silvestri
SR ARCH.	JR ARCH.
DRAWN BY MVB	CHECKED BY PJR



ELECTRICAL FIRE ALARM INITIATION DEVICE DETAILS

SILVESTRI ARCHITECTS · PC

80 PINEVIEW DRIVE PH. 716.691.0900
AMHERST, NY 14228 FAX 716.691.4773

SA JOB #: 04312	DATE: 12-11-09
---------------------------	--------------------------

DRAWING #:
E-501