

NOTICE

This document, the property of, prepared and issued by the architect, is submitted for the specific project named and the recipient by accepting this document assumes custody and agrees that this document will not be copied or reproduced in part or in whole, and any special features peculiar to this design shall not be incorporated in any other project, unless prior agreement has been obtained in writing. These documents will be returned immediately upon completion of the project or upon the request of the architect.

This document is the exclusive property of the architect, no rights to ownership are transferable, or shall be lost by the filing of this document with any and all public authorities for the purpose of compliance with Codes and or Ordinances, i.e. Building Permit, etc.

ERDMAN ANTHONY

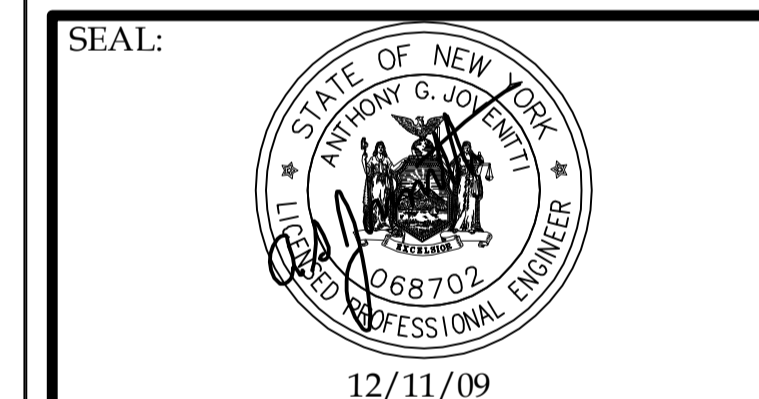
2165 Brighton Henrietta Town Line Rd.
Rochester, NY 14623-2755
Telephone 585 427 8866
Facsimile 585 427 8914
www.erdmananthony.com

CHURCH OF THE HOLY FAMILY SENIOR APARTMENTS

920 TIFFT ST.
BUFFALO, NY 14220

REVISIONS:

SA PROJECT TEAM: PRINCIPAL P. Silvestri
SR. ARCH. JR. ARCH. CHECKED BY



TITLE:
ELECTRICAL FIRE ALARM DETAILS

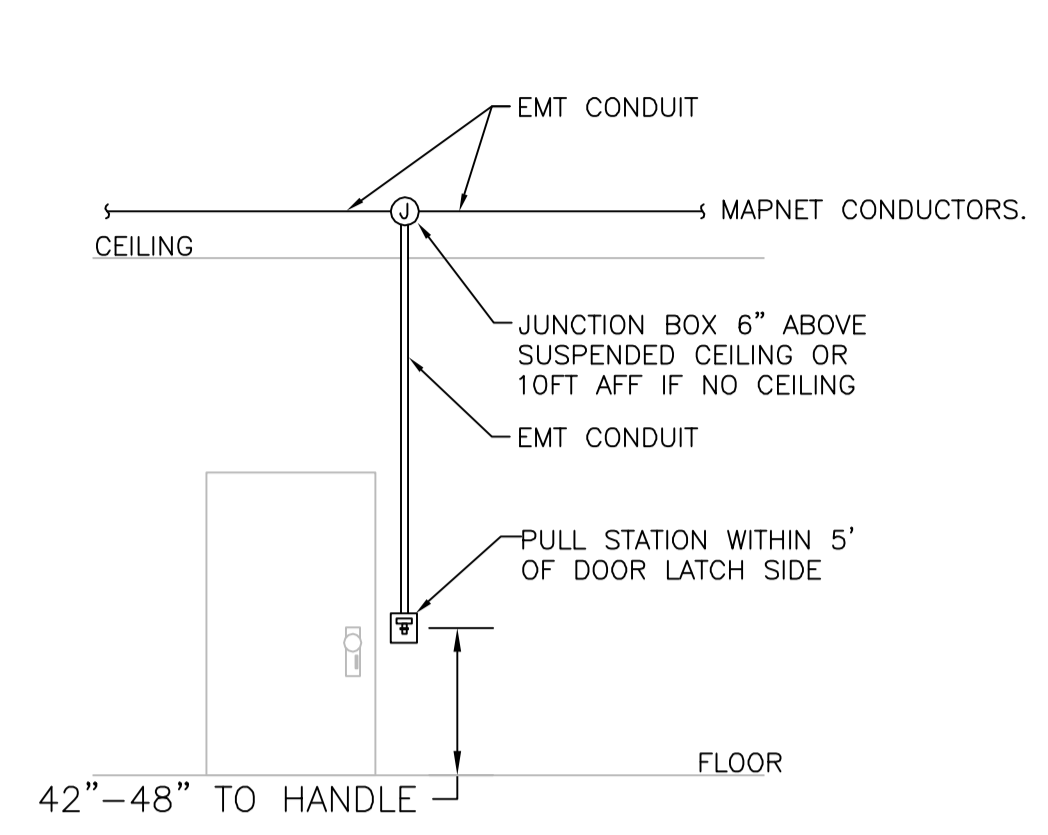


SILVESTRI ARCHITECTS PC

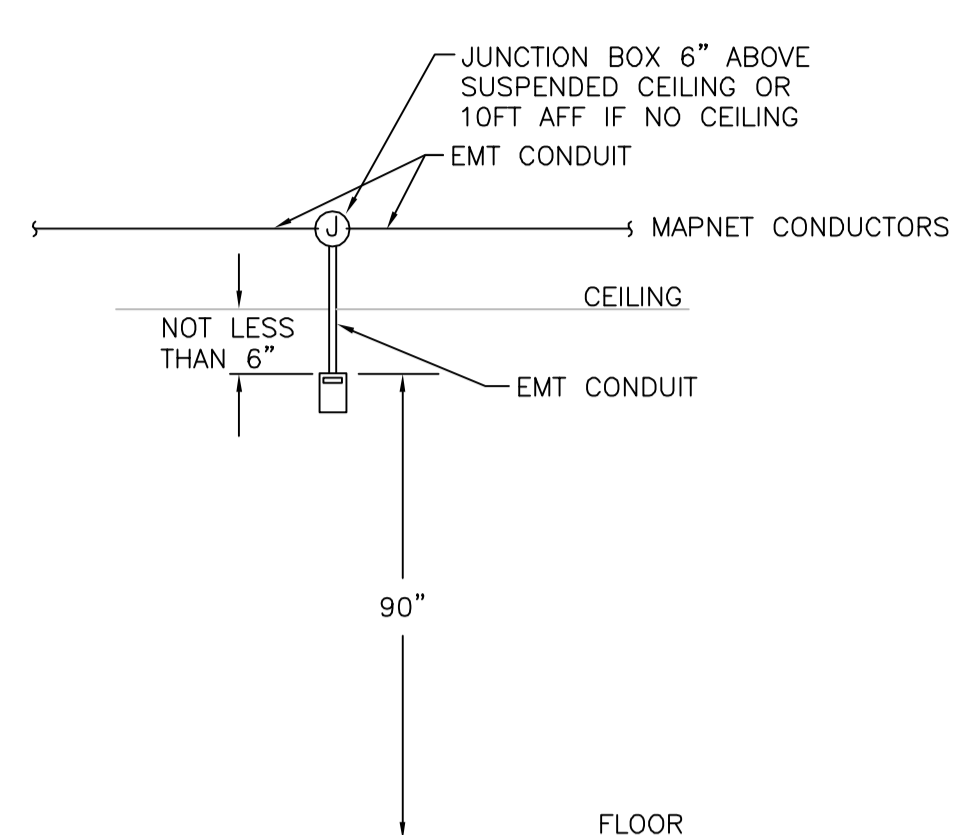
80 PINEVIEW DRIVE PH. 716.691.0900
AMHERST, NY 14228 FAX 716.691.4773

SA JOB #: 04312 DATE: 12-11-09

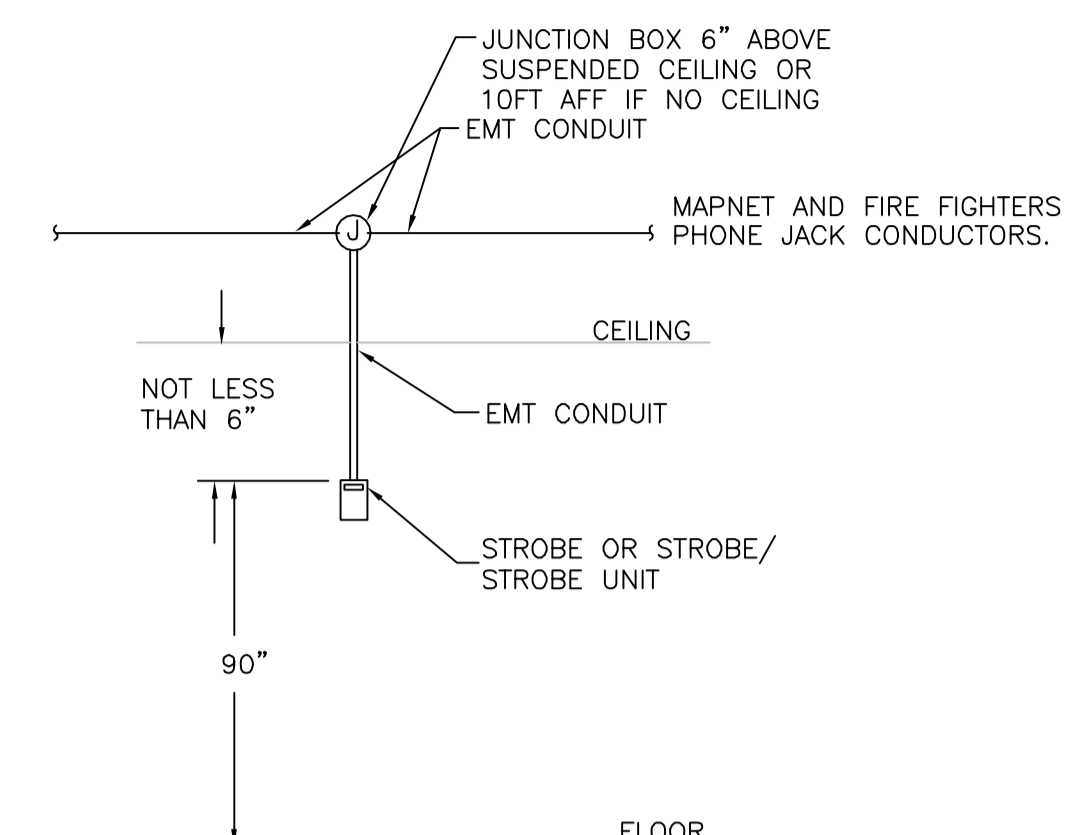
DRAWING #: E-502



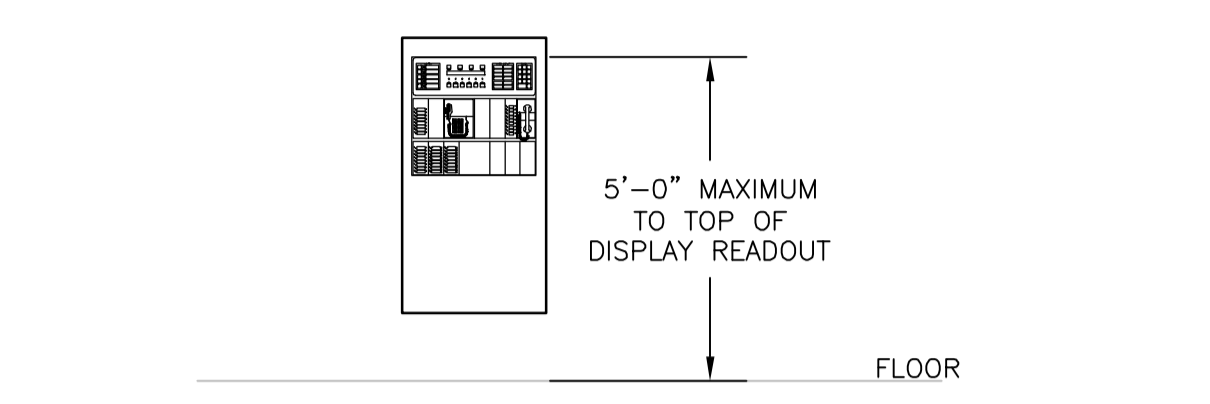
A PULL STATION ELEVATION
SCALE: NONE



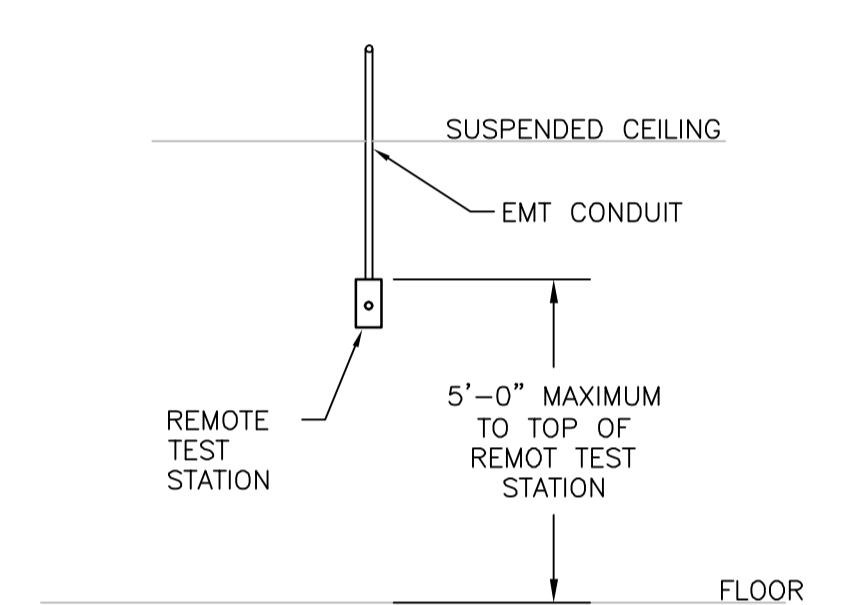
B HORN ELEVATION
SCALE: NONE



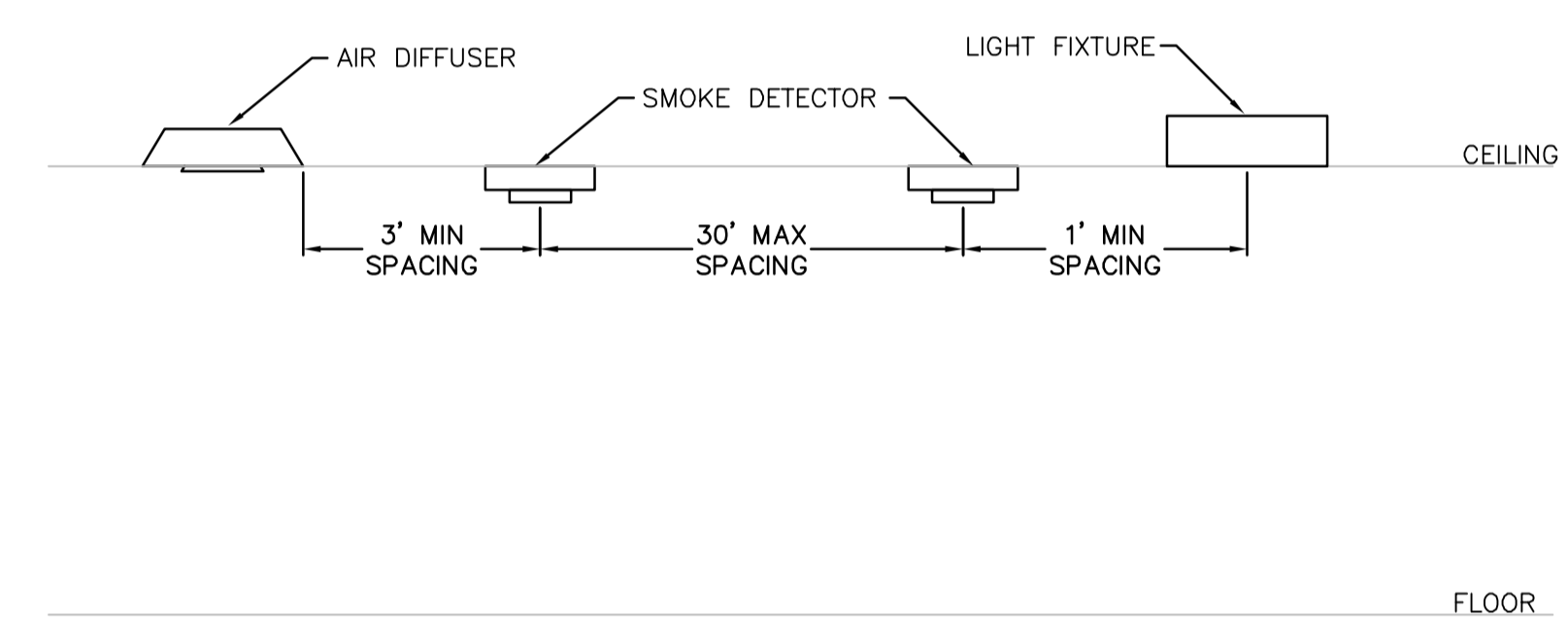
C STROBE - HORN/STROBE ELEVATION
SCALE: NONE



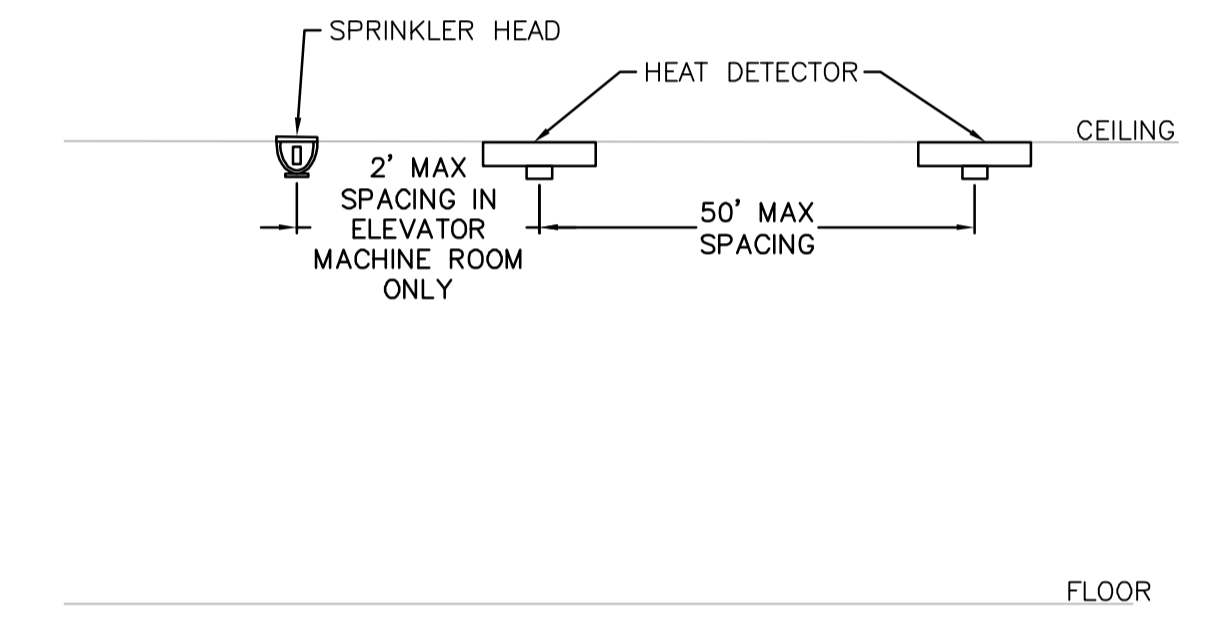
D FIRE ALARM CONTROL PANELS AND FIRE ALARM ANNUCIATOR PANEL ELEVATION
SCALE: NONE



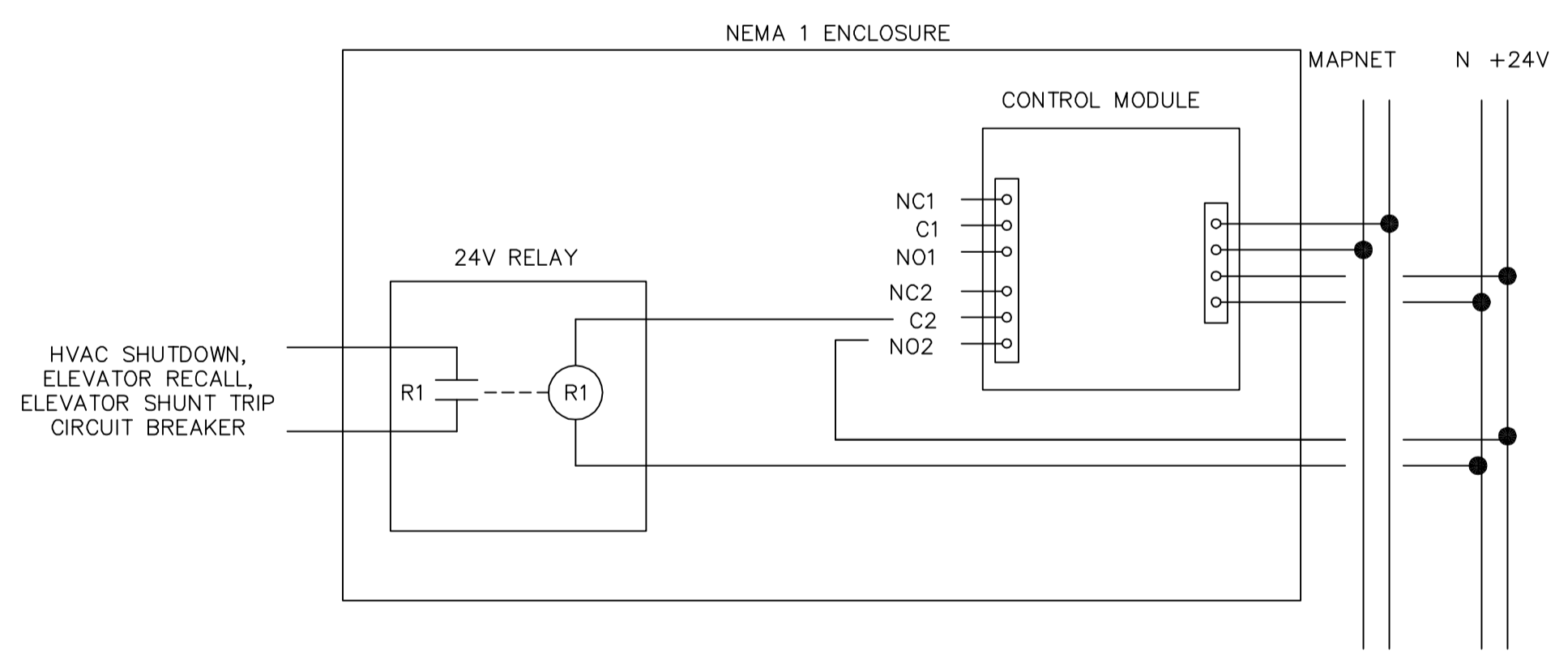
E REMOTE TEST STATION ELEVATION
SCALE: NONE



F SMOKE DETECTOR ELEVATION
SCALE: NONE



G HEAT DETECTOR ELEVATION
SCALE: NONE



H TYPICAL ADDRESSABLE CONTROL MODULE SCHEMATIC
SCALE: NONE