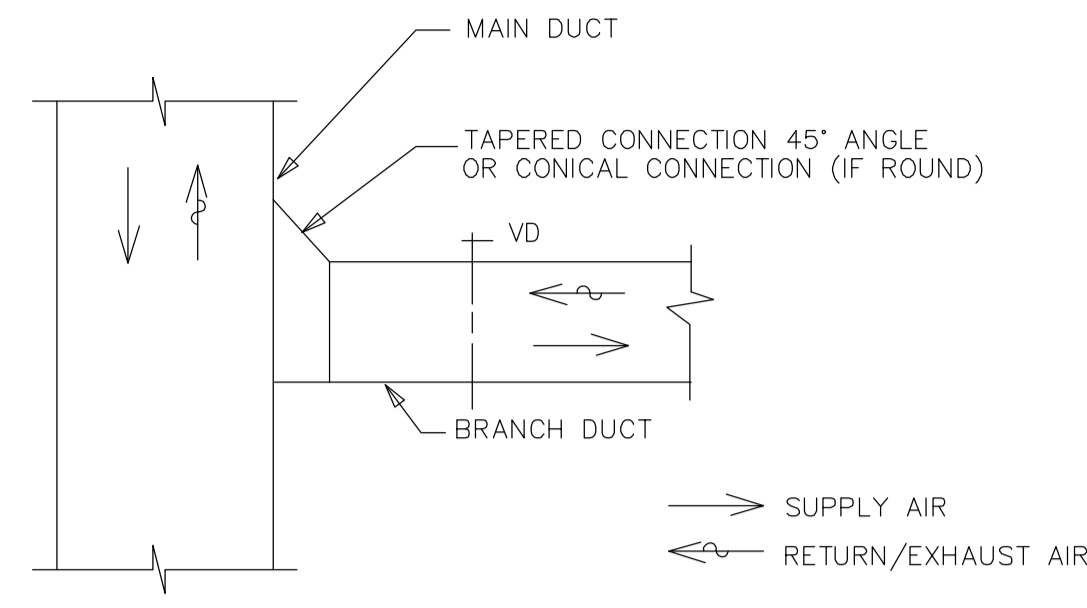
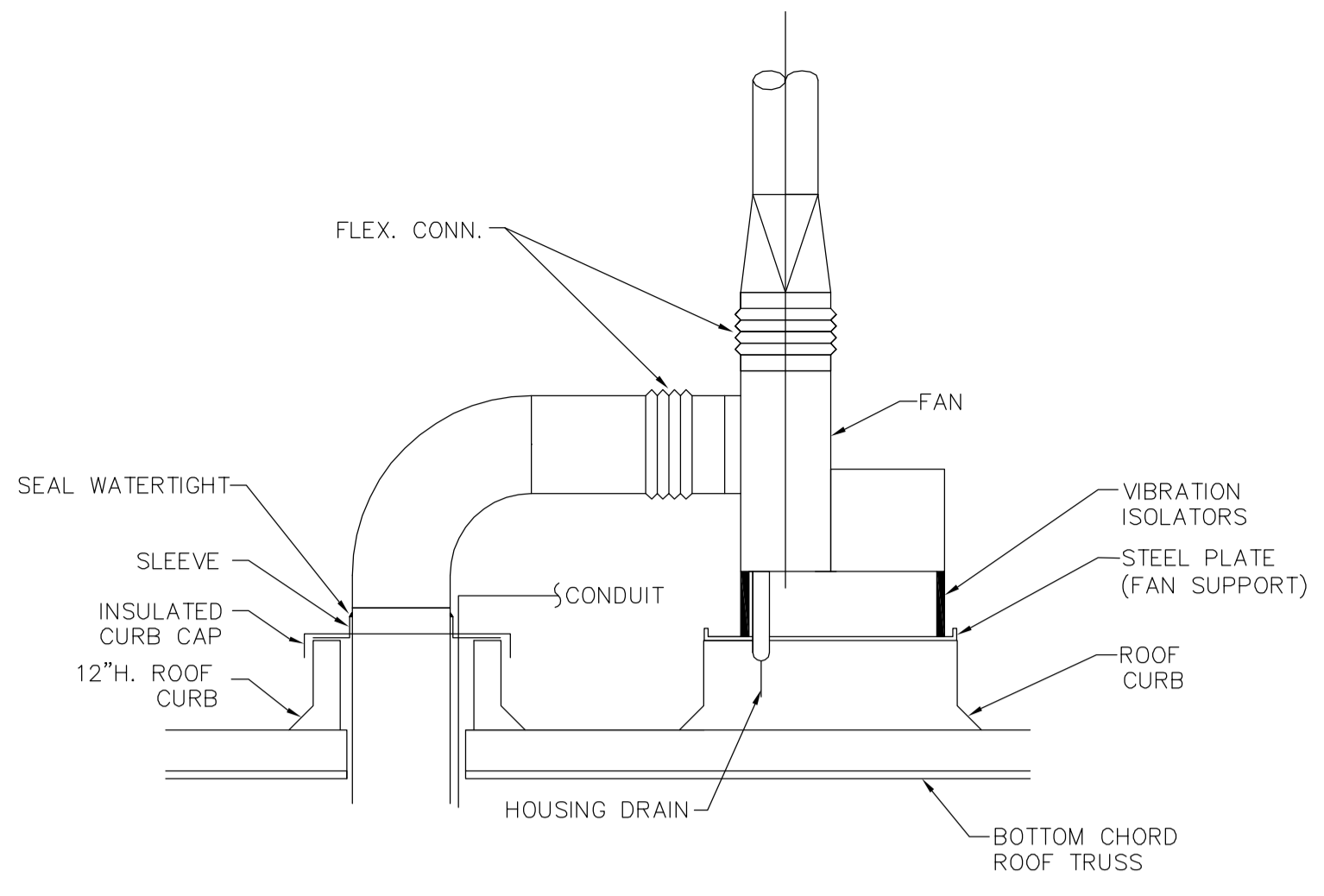


NOTES:
 1. EACH TRAP TO HAVE CAPACITY OF TWO TIMES COIL CAPACITY AT 1/2 PSIG INLET PRESSURE.
 2. VACUUM BREAKER SHALL RESPOND TO PRESSURE DIFFERENCE OF NO MORE THAN 3" W.C.
 3. ADDITIONAL COILS TO BE PIPED IN SAME MANNER AS COIL SHOWN.

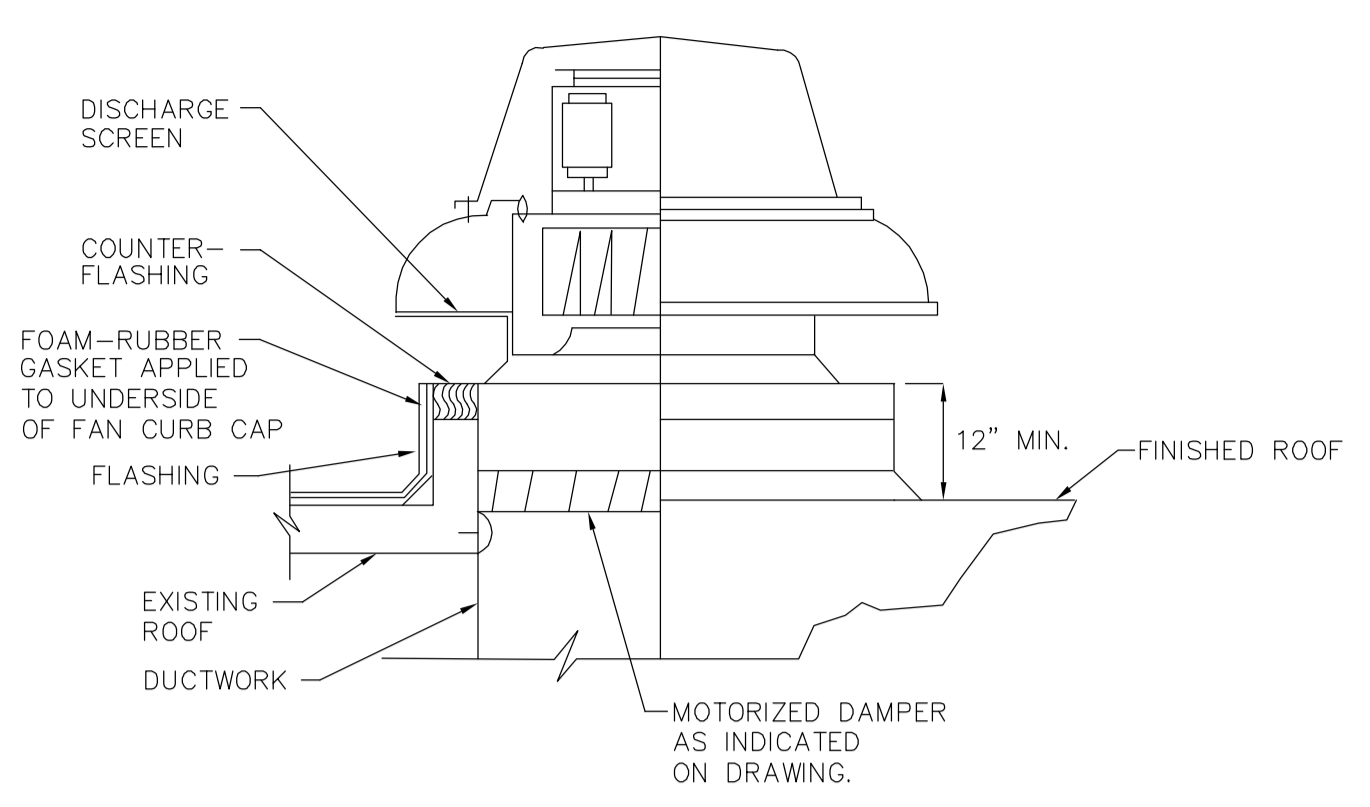
(A) STEAM COIL (LPS) UNITS
 SCALE: NONE



(B) DUCT TAKE-OFF (LOW PRESSURE)
 SCALE: NONE

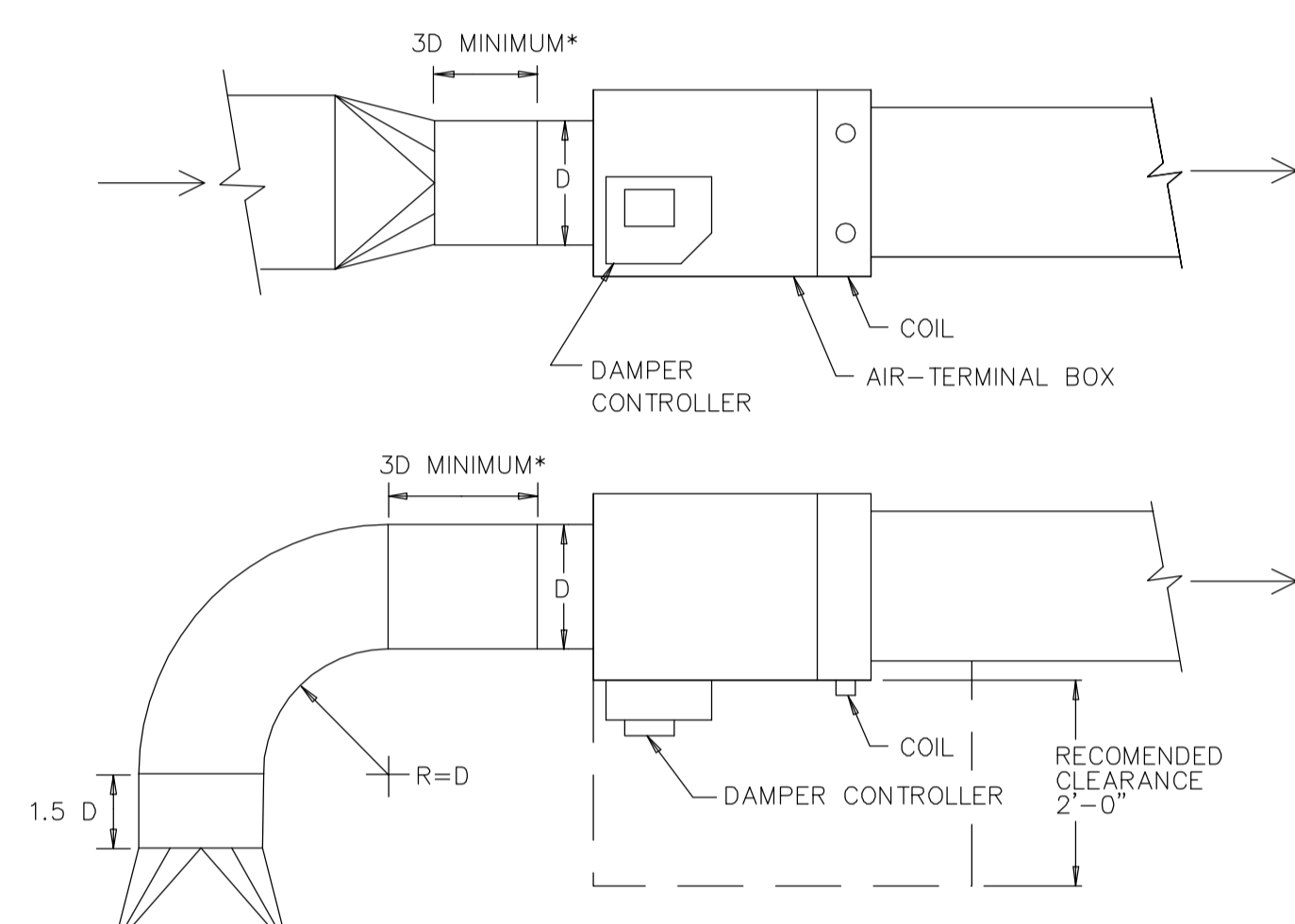


(C) CENTRIFUGAL FAN DETAIL
 SCALE: NONE



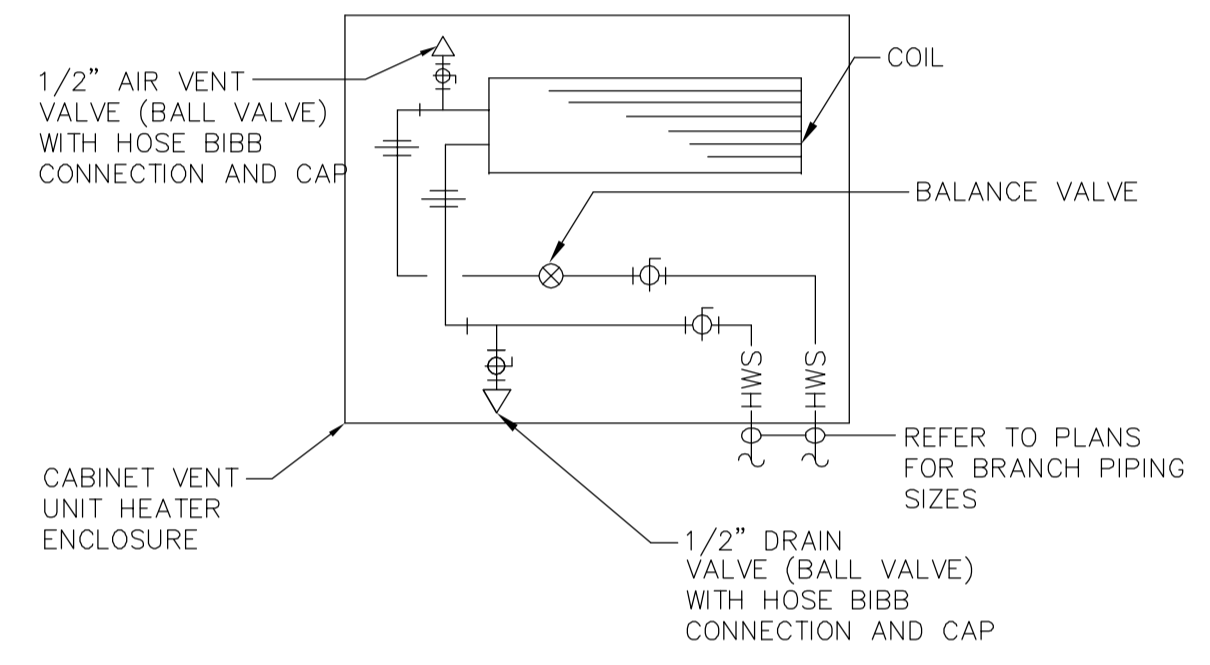
NOTE: IT IS THE CONTRACTOR'S RESPONSIBILITY TO VERIFY THAT ALL ROOF PENETRATIONS ARE IN ACCORDANCE WITH THE ROOF SYSTEM WARRANTY.

(D) ROOF-MOUNTED EXHAUST FAN
 SCALE: NONE

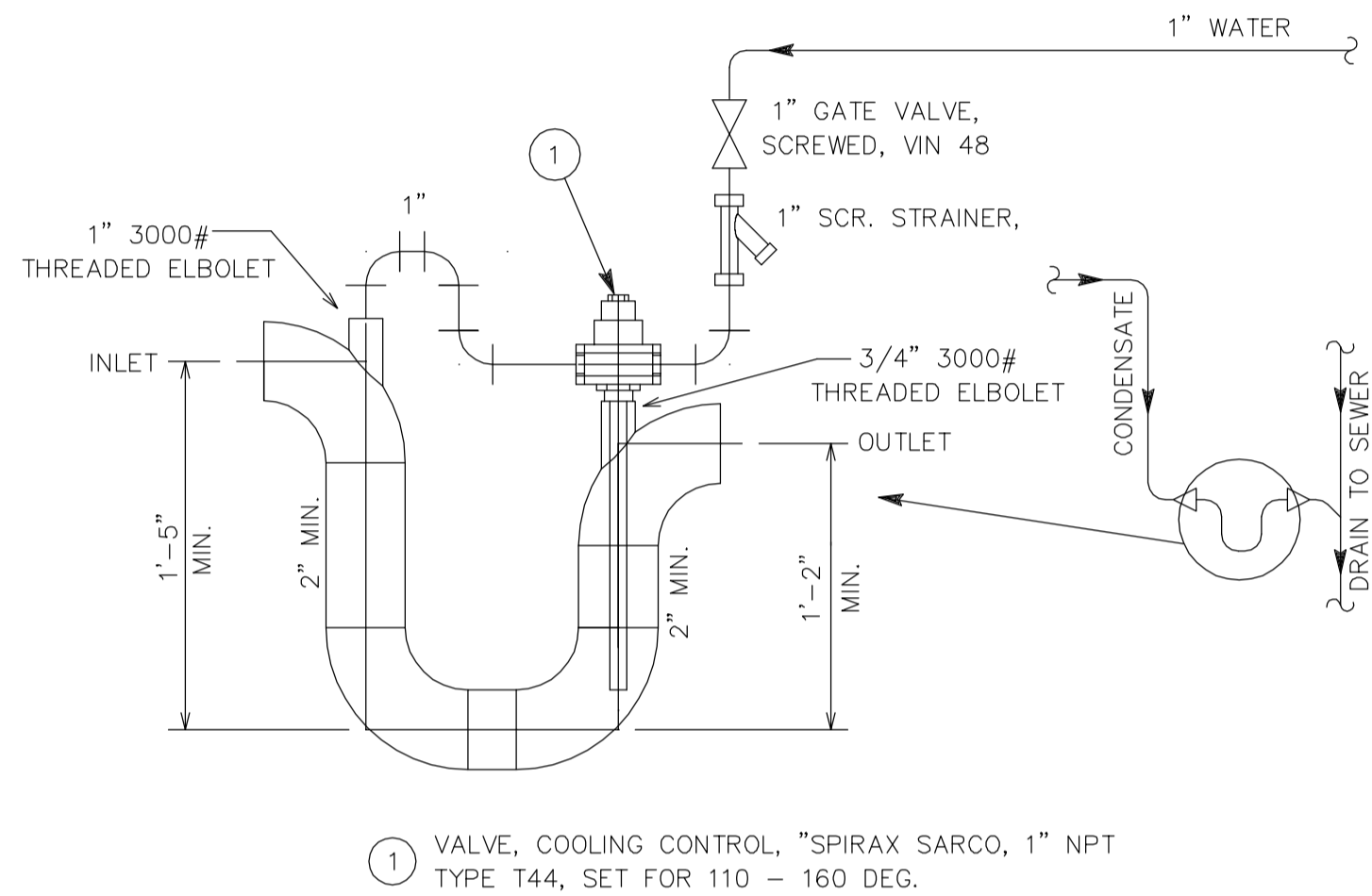


NOTES:
 1. BOX SENSOR SHALL BE ORIENTED IN SAME PLANE AS ELBOW AND BE WITHIN 10" OF HORIZONTAL OR PER MANUFACTURER'S RECOMMENDATION.
 2. IF INDICATED STRAIGHT RUN CANNOT BE OBTAINED, A FLOW-STRAIGHTENER SHALL BE PROVIDED AT BOX INLET.
 *CHECK MANUFACTURER'S CUT SHEET FOR RECOMMENDED STRAIGHT RUN DISTANCE.

(E) AIR TERMINAL BOX CONNECTION (HARD DUCTED)
 SCALE: NONE

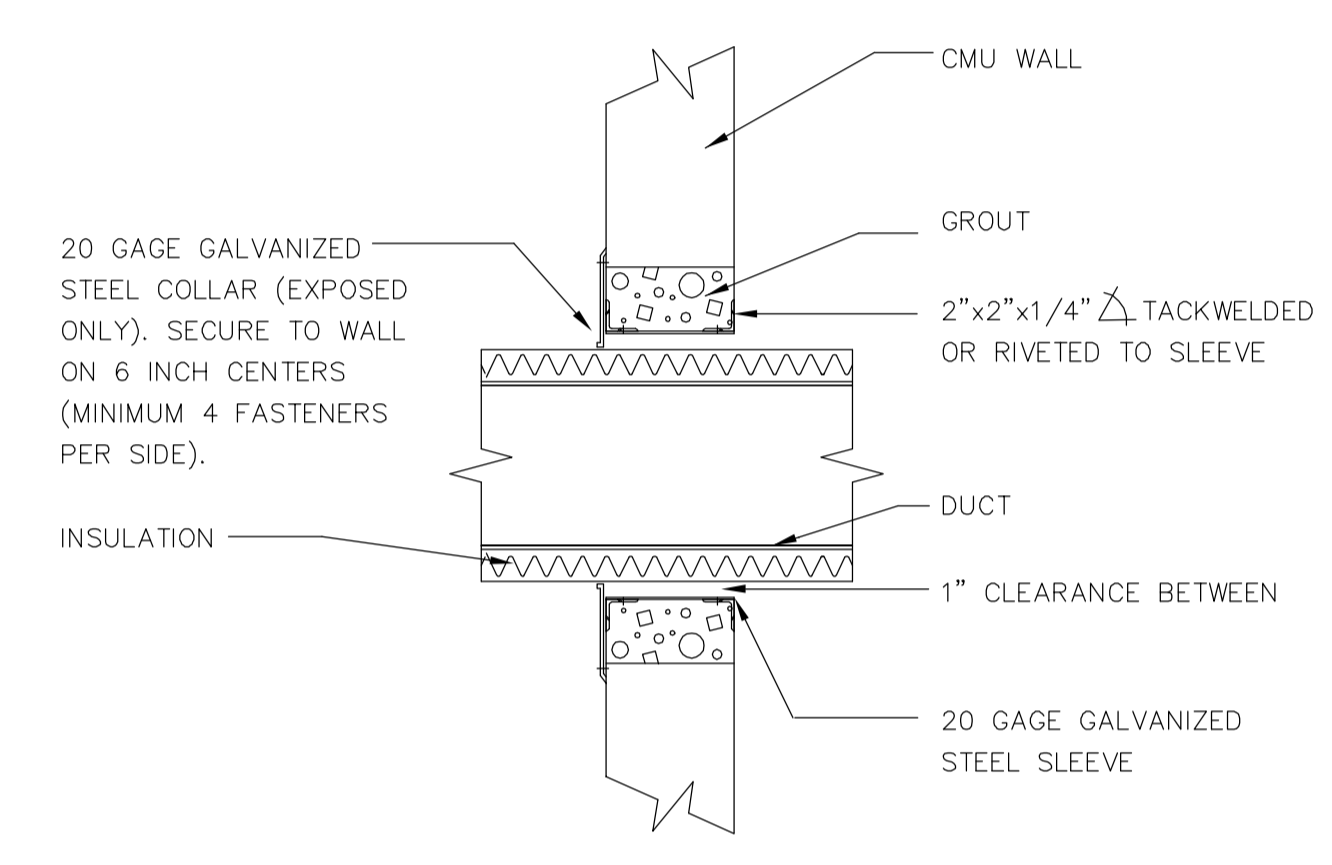


(F) CABINET UNIT HEATER DETAIL
 SCALE: NONE

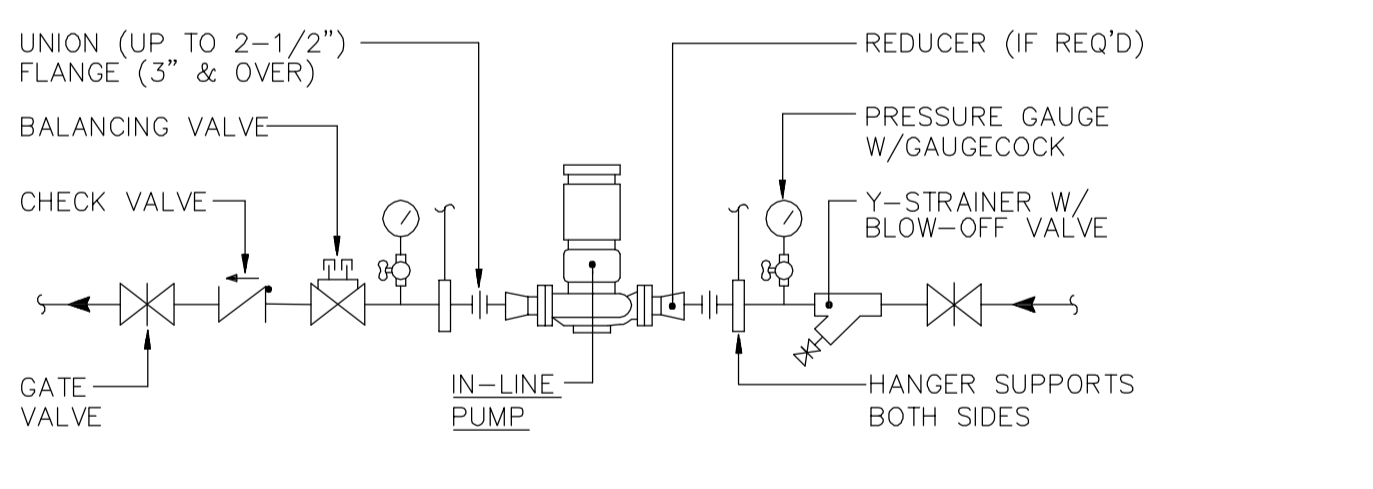


① VALVE, COOLING CONTROL, "SPIRAX SARCO, 1" NPT TYPE T44, SET FOR 110 - 160 DEG.

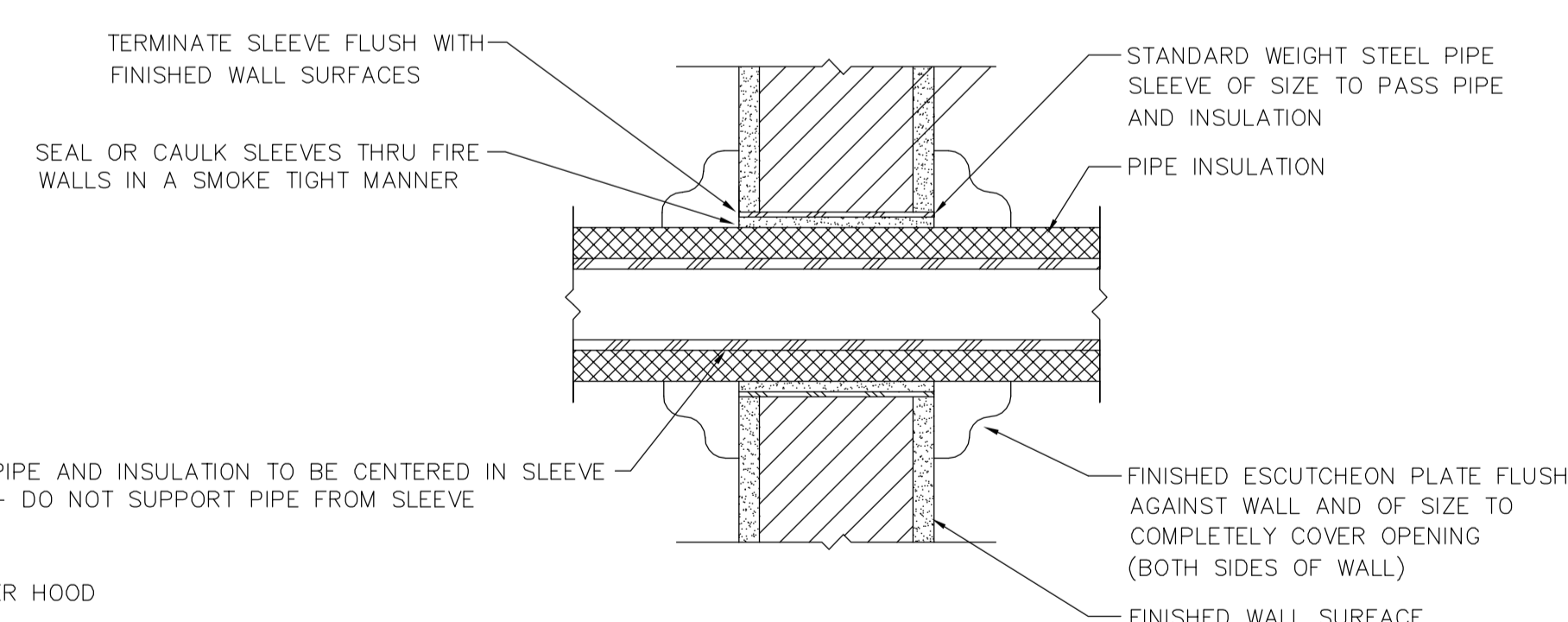
(G) DRAIN-KOOLER DETAIL
 SCALE: NONE



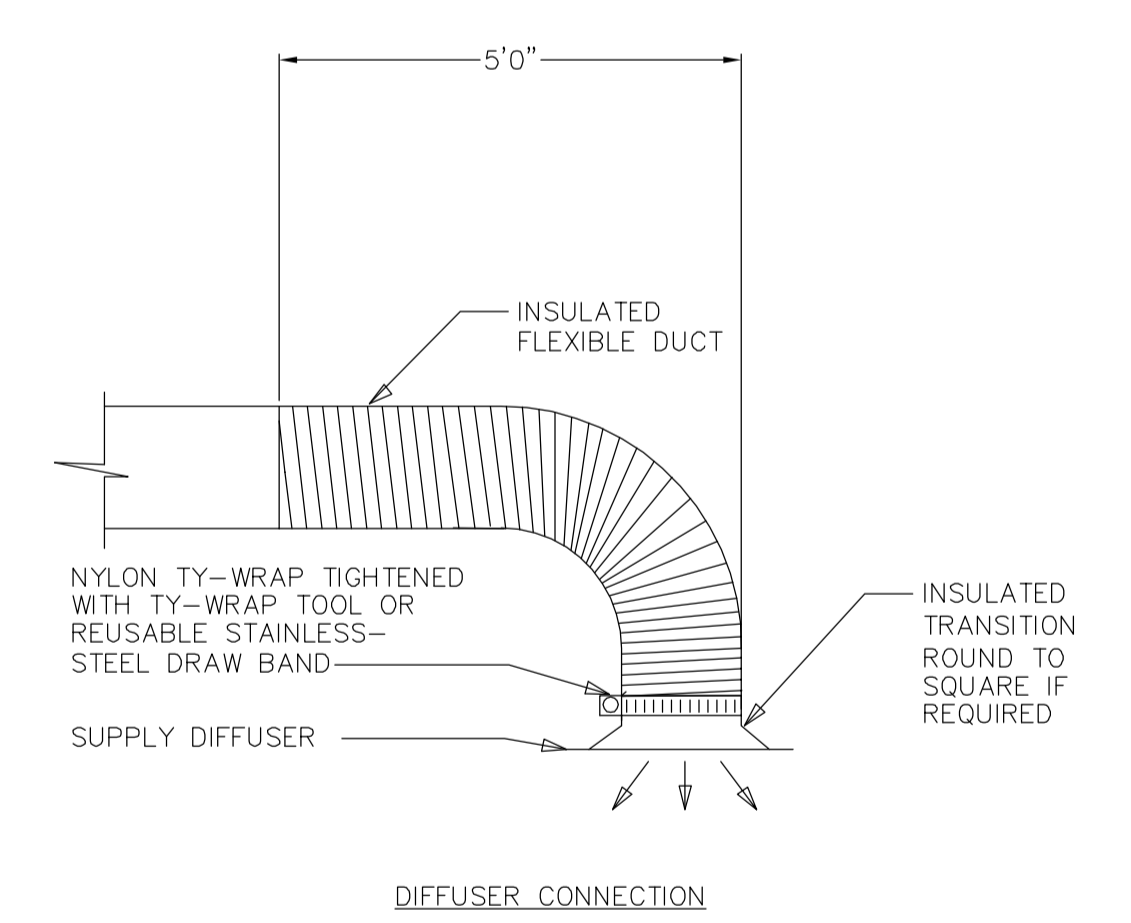
(H) DUCT PENETRATION THROUGH WALL
 SCALE: NONE



(I) VERTICAL IN-LINE PUMP DETAIL
 SCALE: NONE

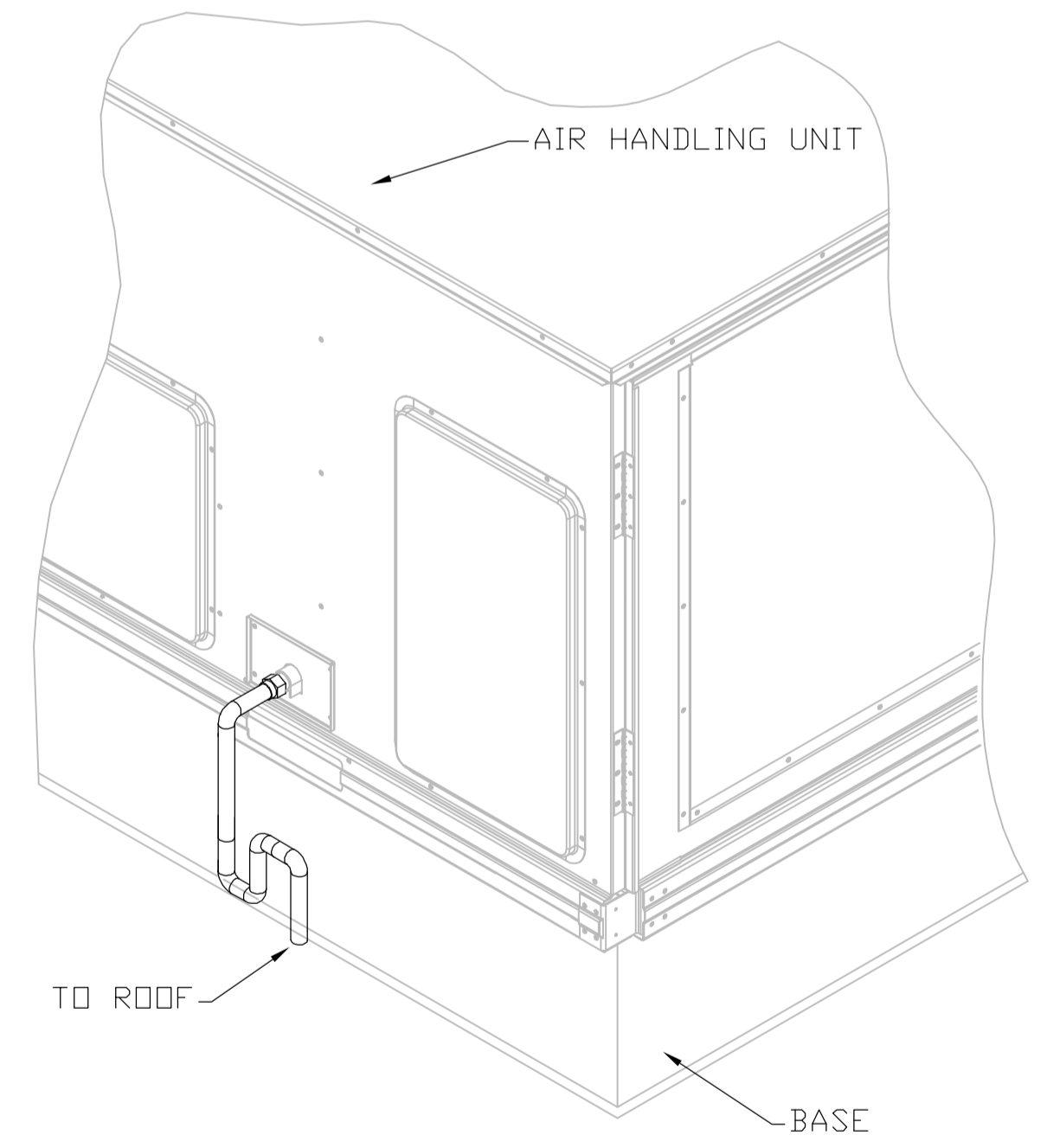


(J) PIPE SLEEVE THRU INTERIOR WALL
 SCALE: NONE

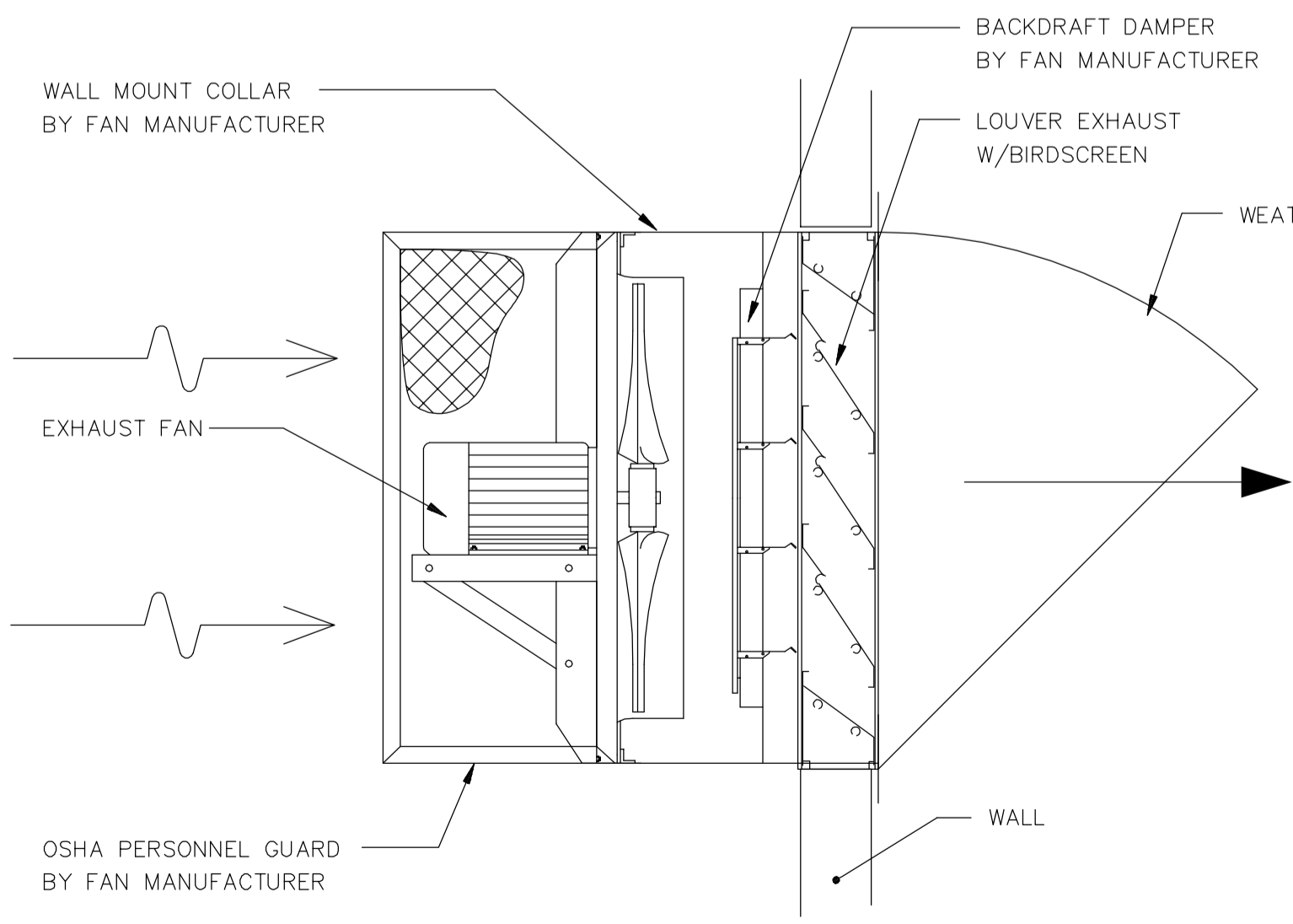


NOTES:
 1. OFFSETS WITH FLEX DUCT SHALL NOT EXCEED 30 DEG AND SHALL BE GRADUAL. OFFSETS IN EXCESS OF 30 DEG SHALL BE HARD-DUCTED.
 2. FLEX DUCT SHALL NOT HAVE MORE THAN 1/2" SAG PER FOOT.
 3. LENGTH OF FLEX DUCT SHALL NOT EXCEED 5'-0".
 4. PROVIDE DUCT MOUNTED VOLUME DAMPER TO DIFFUSER AS CLOSE TO MAIN DUCT AS POSSIBLE.
 5. FLEX DUCT SHALL BE INSTALLED IN THE FULLY EXTENDED POSITION.

(K) DIFFUSER CONNECTIONS
 SCALE: NONE



(L) AHU TRAP DETAIL @ COOLING COIL DRAIN PAN
 SCALE: NONE



NOTE:
 1. IT IS THE CONTRACTOR'S RESPONSIBILITY TO ENSURE THAT ALL WALL PENETRATIONS ARE CAULKED WEATHER TIGHT.

(M) WALL-MOUNTED EXHAUST FAN
 SCALE: NONE

NOTICE

This document, the property of, prepared and issued by the architect, is submitted for the specific project named and the recipient by accepting this document assumes custody and agrees that this document will not be copied or reproduced in part or in whole, and any special features peculiar to this design shall not be incorporated in any other project, unless prior agreement has been obtained in writing. These documents will be returned immediately upon completion of the project or upon the request of the architect.

This document is the exclusive property of the architect, no rights to ownership are transferable, or shall be lost by the filing of this document with any and all public authorities for the purpose of compliance with Codes and or Ordinances, i.e. Building Terms, etc.

ERDMAN ANTHONY

2165 Brighton Henrietta Town Line Rd.
 Rochester, NY 14623-2755
 Telephone 585 427 8866
 Facsimile 585 427 8914
 www.erdmananthony.com

CHURCH OF THE HOLY FAMILY SENIOR APARTMENTS

920 TIFFT ST.
 BUFFALO, NY 14220

REVISIONS:

SA PROJECT TEAM:	PRINCIPAL P. Silvestri
SR ARCH:	JR ARCH:
DRAWN BY: TRA	CHECKED BY: MRM

SEAL:

12/11/09

TITLE: MECHANICAL DETAILS

SILVESTRI ARCHITECTS · PC

80 PINEVIEW DRIVE PH. 716.691.0900
 AMHERST, NY 14228 FAX 716.691.4773

SA JOB #:	DATE:
04312	12-11-09

DRAWING #: M-500