

AIR DEVICES SCHEDULE

TYPE	CFM	FACE SIZE	HART AND COOLEY MODEL NUMBER
SUPPLY (SD-1)	50	4 x 15	406
SUPPLY (SD-2)	50	2 x 10	420
SUPPLY (SD-2)	60	2 x 10	420
SUPPLY (SD-2)	70	2 x 12	420
SUPPLY (SD-1)	90	4 x 15	406
SUPPLY (SD-1)	100	4 x 15	406
SUPPLY (SD-1)	120	4 x 15	406
SUPPLY (SD-1)	130	4-1/2 x 18	406
SUPPLY (SD-1)	140	4-1/2 x 18	406
SUPPLY (SD-1)	160	4-1/2 x 18	406
SUPPLY (SD-1)	170	4-1/2 x 18	406
SUPPLY (SD-1)	180	4-1/2 x 18	406
SUPPLY (SD-1)	190	4-1/2 x 18	406
SUPPLY (SD-1)	200	4-1/2 x 18	406
SUPPLY (SD-1)	215	4-1/2 x 18	406
SUPPLY (SR-1)	100	4 x 10	618 DEFLECTION E
RETURN (RG-1)	1000	30 x 8	650
RETURN (RG-1)	1010	30 x 10	650
RETURN (RG-1)	1085	-	650
RETURN (RG-2)	1170	24 x 22	650
RETURN (RG-1)	1210	-	650
RETURN (RG-2)	1850	30 x 24	650

FURNACE SCHEDULE - NATURAL GAS

UNIT NO.	AREA SERVED	YORK FURNACE MODEL NO.	FURNACE TYPE	AFUE (MIN.%)	INPUT MBH	OUTPUT MBH	FUEL	AIRFLOW CFM	O.A. CFM	ESP (IN. WC)	DX COIL MODEL NO.	COOLING (TONS)	POWER V/P/H	MOTOR HP	MCA	MOC	NOTES
F-1	UNITS A, B, C, D, E, E1, F, G, G1	PC9B12060DH11	DOWNFLOW	95	60	57	NATURAL GAS	VARIES	NA	-	-	-	115/1/60	1/2	9.0	15	1,2,3,4,5
F-2	UNITS H, J, K, L	PC9B12060UP11	UPFLOW	95	60	57	NATURAL GAS	VARIES	NA	-	-	-	115/1/60	1/2	9.0	15	1,2,3,4,5

- NOTES:**
1. PROVIDE ELECTRICAL DISCONNECT.
2. PROVIDE 5/2 DAY PROGRAMMABLE HEATING/COOLING THERMOSTAT, ROBERTSHAW 9610 OR EQUAL.
3. PROVIDE RETURN FILTER RACK.
4. EQUIPMENT SHALL BE ENERGY STAR RATED.
5. PROVIDE CONCENTRIC FLUE.

RANGE HOOD SCHEDULE (RH-X)

UNIT NO.	AREA SERVED	REVERSOMATIC MODEL NO.	CFM	E.S.P. (N.)	SONES	SIZE	POWER V/P/H	WATTS	NOTES
RH-1	KITCHEN RANGE	DELUXE 4000-250 ES2	210	0.2	6.5	30" WIDE	120/1/60	7.5	1,2,3,4,5,6,8
RH-2	KITCHEN RANGE	DELUXE 4000-250 ES2	210	0.2	6.5	30" WIDE	120/1/60	7.5	1,2,3,4,6,7,8

- NOTES:**
1. 3/4" X 10" DUCT CONNECTION.
2. TWO-SPEED FAN SWITCH.
3. LIGHT SWITCH.
4. WASHABLE ALUMINUM FILTER.
5. PROVIDE HOODED WALL CAP WITH BIRD SCREEN AND DAMPER.
6. SELECT COLOR FROM MANUFACTURER'S STANDARD COLORS.
7. PROVIDE PITCHED ROOF CAP WITH BIRD SCREEN AND DAMPER.
8. ENERGY STAR APPROVED.

EXHAUST FAN SCHEDULE (EF)

UNIT NO.	AREA SERVED	BROAN MODEL NO.	MOTOR (W)	CFM	E.S.P. (N. W.C.)	TYPE	POWER	SONES	NOTES
EF-1	TOILET ROOMS	QTRE110	46	75	0.25	CEILING DIRECT	115/1/60	1,2,3,5	
EF-2	TOILET ROOMS	QTRE110	46	75	0.25	CEILING DIRECT	115/1/60	1,2,4,5	

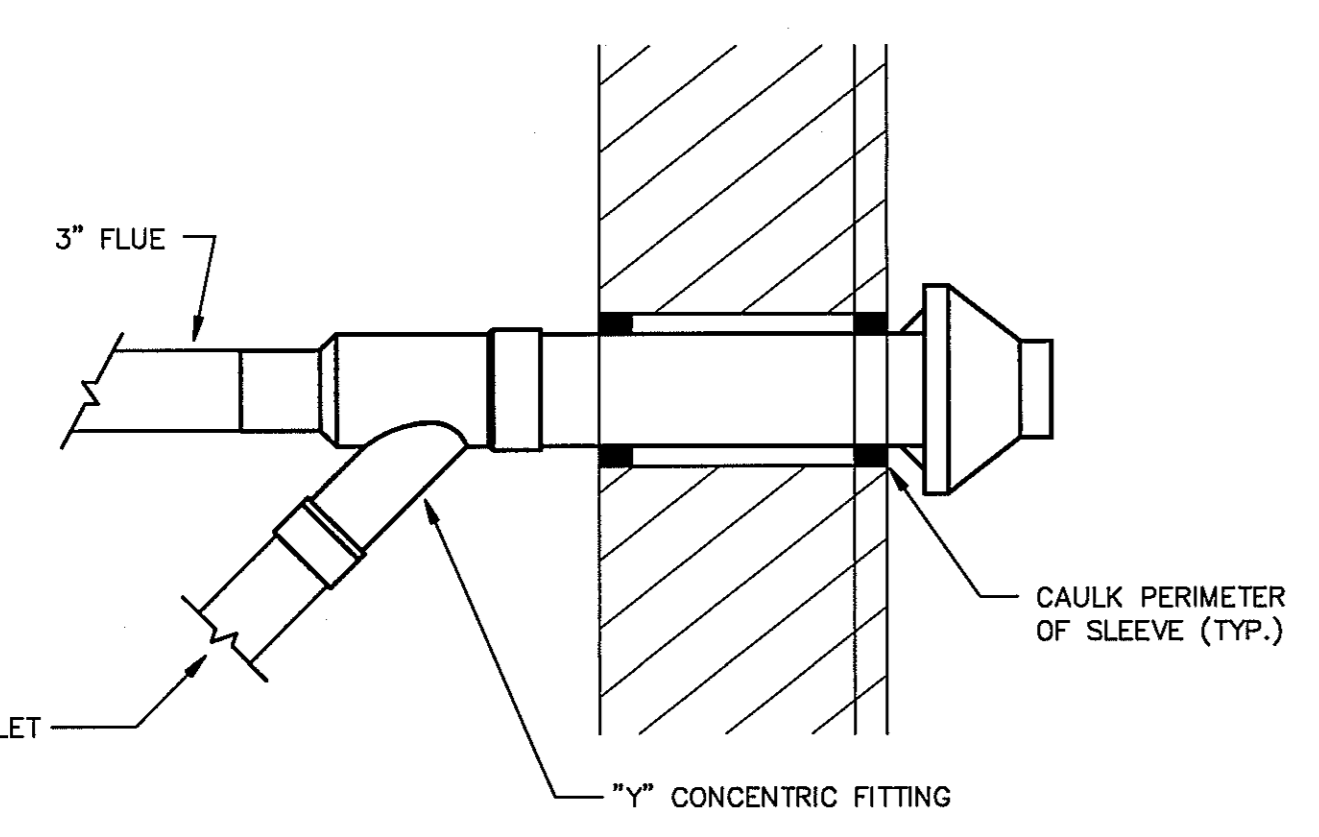
- NOTES:**
1. PROVIDE ELECTRICAL DISCONNECT.
2. CONTROLLED BY MANUAL SWITCH (PROVIDED BY E.C.).
3. PROVIDE HOODED WALL CAP, GREENHECK MODEL WC-6 OR EQUAL WITH BIRDSCREEN AND DAMPER.
4. PROVIDE PITCHED ROOF CAP, GREENHECK MODEL RJ OR EQUAL, WITH BIRDSCREEN AND DAMPER.
5. ENERGY STAR APPROVED.

HVAC LEGEND & ABBREVIATIONS

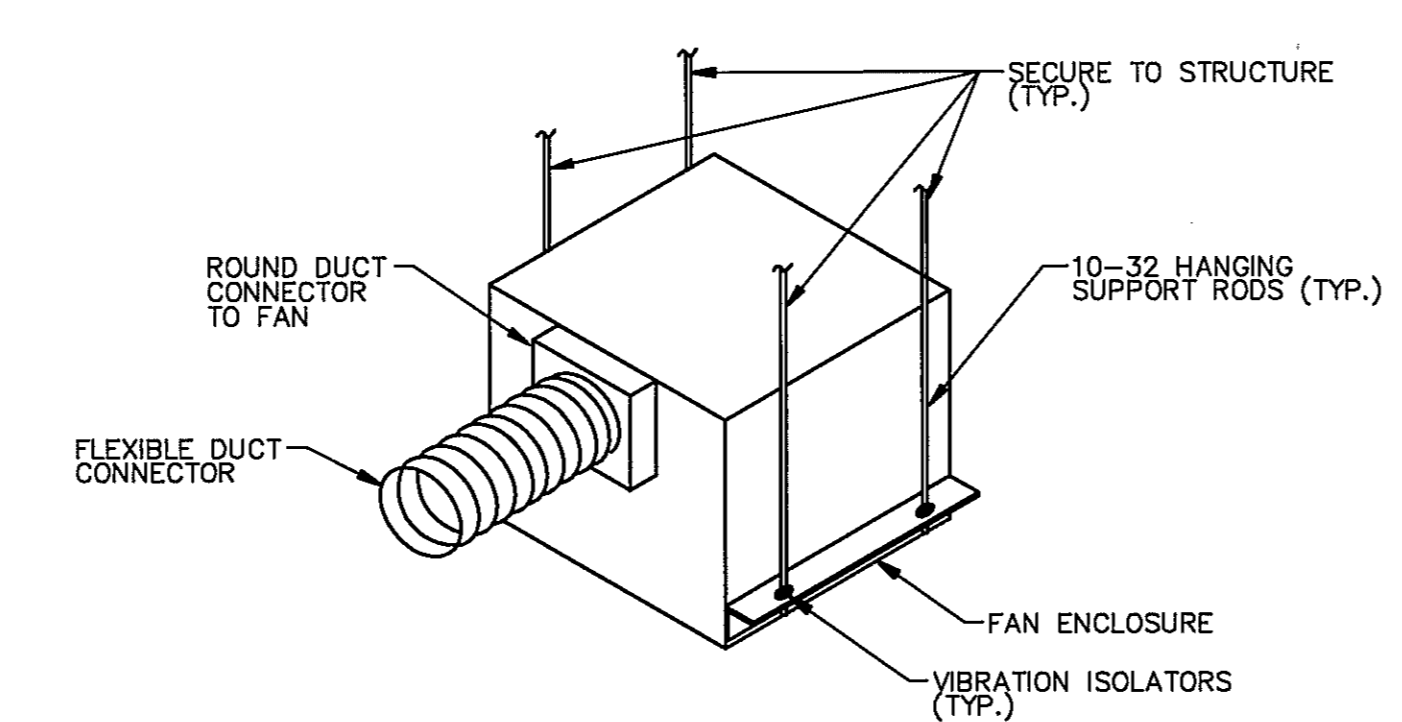
- RETURN AIR GRILLE (RG)
- SUPPLY AIR DIFFUSER (SD)
- EXHAUST AIR REGISTER (EG)
- SUPPLY AIR DUCTWORK
- RETURN AIR DUCTWORK
- EXHAUST AIR DUCTWORK
- THERMOSTAT
- HUMIDISTAT
- VOLUME/BALANCE DAMPER
- FD FIRE DAMPER
- UNDERCUT DOOR (PROVIDED BY ARCHITECT)
- EXHAUST FAN
- AIR CONDITIONER
- RETURN AIR
- EXHAUST AIR
- SUPPLY AIR
- OPEN ENDED DUCT
- ELECTRICAL CONTRACTOR
- PLUMBING CONTRACTOR
- MECHANICAL CONTRACTOR
- REFRIGERANT SUCTION
- REFRIGERANT LIQUID LINE
- OUTSIDE AIR DUCT

GENERAL NOTES

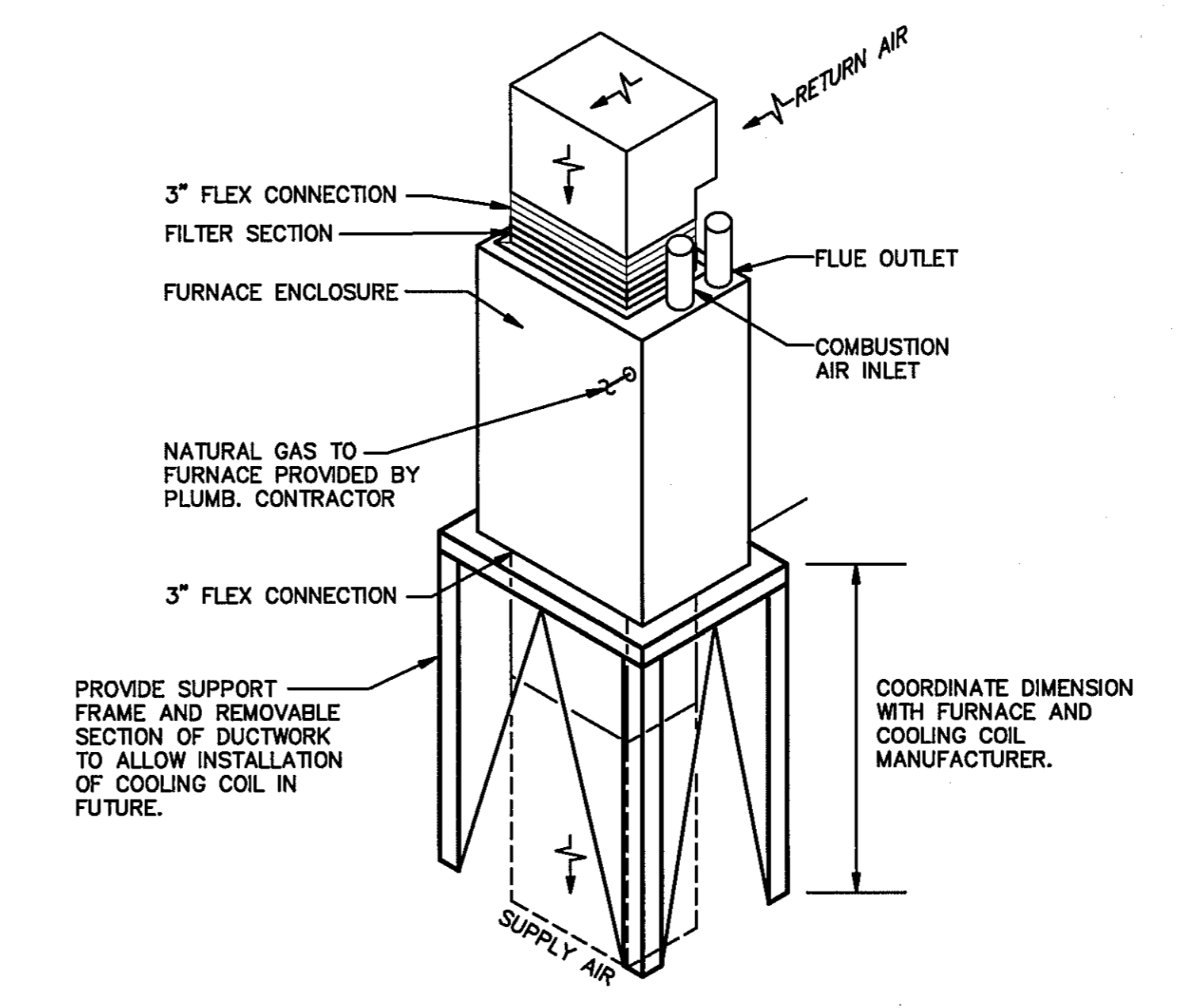
- CONTRACTOR SHALL MAINTAIN A MIN. OF 10 FEET CLEARANCE BETWEEN O.A. INTAKES AND EXHAUSTS, PLUMBING VENTS, ETC.
- CONTRACTOR SHALL MAINTAIN RECOMMENDED CLEARANCES FOR MAINTENANCE, OPERATION, ETC. ON ALL EQUIPMENT.
- CONTRACTOR SHALL COORDINATE ALL HVAC WORK WITH OTHER TRADES, LIGHTS, PLUMBING, STRUCTURAL, ETC.
- ALL EQUIPMENT AND INSTALLATION SHALL COMPLY PER STATE AND LOCAL CODES.
- ALL EQUIPMENT SHALL BE INSTALLED PER MANUFACTURER'S RECOMMENDATIONS.
- FIREPROOF ALL PIPING, CONDUITS AND DUCT PENETRATIONS THRU FIRE RATED WALLS.



CONCENTRIC WALL VENT TERMINAL DETAIL
SCALE: NONE



TYPICAL CEILING EXHAUST FAN INSTALLATION DETAIL
SCALE: NONE



TYPICAL DOWNFLOW FURNACE DETAIL
SCALE: NONE