

PLUMBING SYMBOL LIST

GENERAL

- ◆ DRAWING NOTE REFERENCE NUMBER, SEE INDICATED NOTE #
- ⊗ SHUT-OFF VALVE (GATE)
- ⊗ CHECK VALVE
- ⊗ BRANCH CONNECTION - BOTTOM
- ⊗ BRANCH CONNECTION - TOP
- ⊗ ELBOW - TURNED DOWN
- ⊗ ELBOW - TURNED UP
- ⊗ CAP
- ⊗ CLEANOUT (FLOOR/WALL, END OF PIPE)
- ⊗ FLOOR DRAIN TYPE, SIZE & TRAP
- ⊗ POINT OF CONNECTION

ABBREVIATIONS

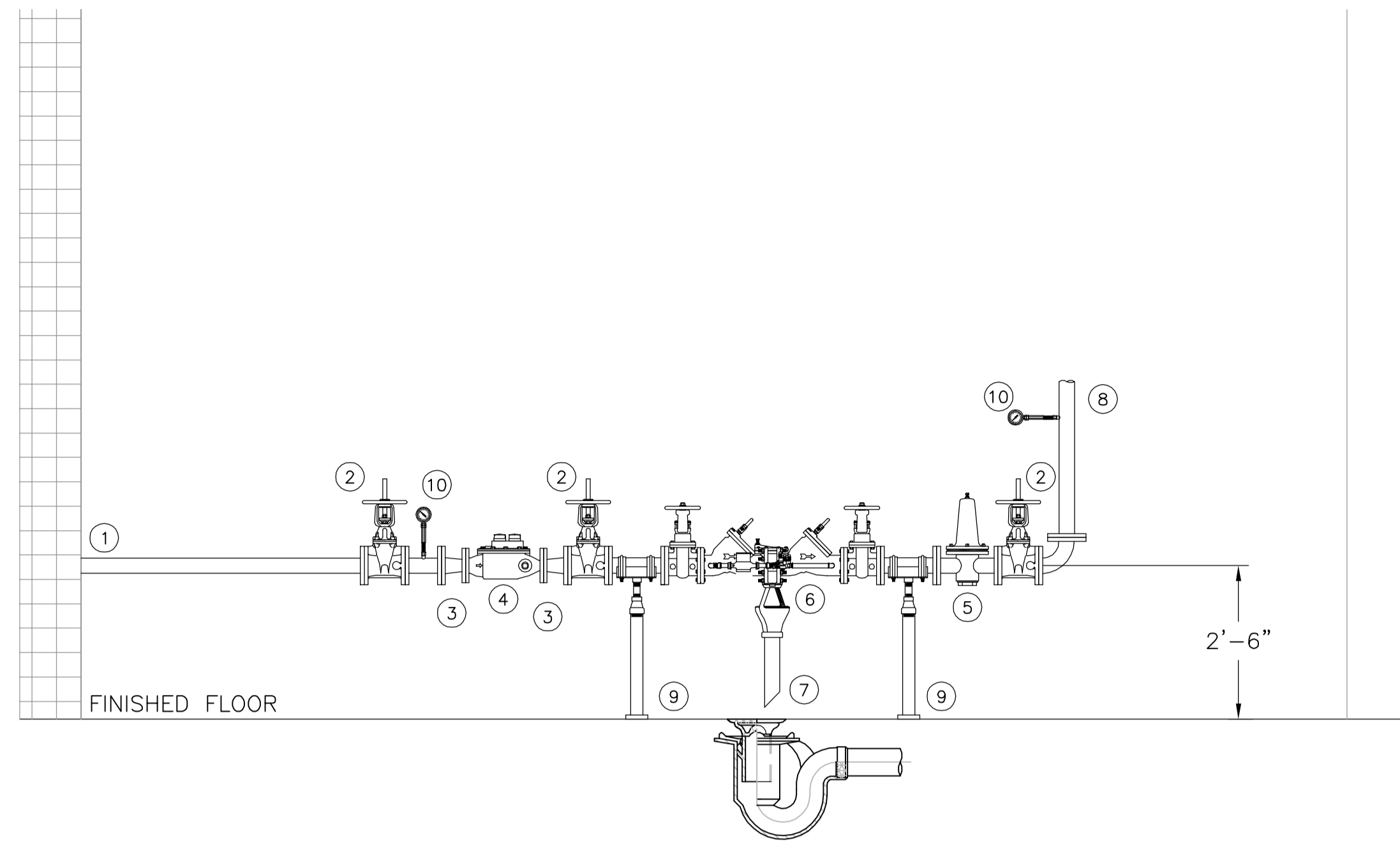
- CW COLD WATER
- HW HOT WATER
- HWR HOT WATER RECIRC.
- LAV LAVATORY
- SAN SANITARY
- V VENT (SANITARY)
- WC WATER CLOSET
- RDP ROOF DRAIN PRIMARY
- RDS ROOF DRAIN SECONDARY

GENERAL NOTES

- THIS SYMBOL LIST IS FOR THE PLUMBING CONTRACTOR'S REFERENCE ONLY. NOT ALL SYMBOLS AND/OR ABBREVIATIONS MAY APPLY TO THIS PARTICULAR PROJECT. ANY ADDITIONS OR OMISSIONS FROM THIS LEGEND SHEET DOES NOT IMPLY INCLUSION AND/OR EXCLUSION OF ANY PARTICULAR ITEMS FROM THE PROJECT.
- THE PLANS ARE DIAGRAMMATIC AND INDICATE ONLY THE SIZE AND GENERAL ARRANGEMENT OF PIPING AND EQUIPMENT. EXACT LOCATION OF ALL ELEMENTS SHALL BE DETERMINED AS WORK PROGRESSES, IN COOPERATION AND COORDINATION WITH THE WORK OF ALL TRADES. THEY ARE NOT INTENDED TO SHOW EVERY ITEM OF WORK OR MINOR PIECE OF EQUIPMENT. CONTRACTOR SHALL FURNISH AND INSTALL WITHOUT ADDITIONAL REMUNERATION ANY COMPONENT NECESSARY TO COMPLETE THE SYSTEM IN ACCORDANCE WITH THE BEST PRACTICE OF THE TRADE.
- ITEMS OF WORK OR EQUIPMENT SHOWN ON THE DRAWINGS ONLY, OR CALLED FOR THE SPECIFICATIONS ONLY, SHALL BE FURNISHED AND INSTALLED IN THE SAME MANNER AS IF THEY APPEARED ON BOTH THE DRAWINGS AND THE SPECIFICATIONS.
- DRAWINGS DO NOT INDICATE ALL OFFSETS, CHANGES IN ELEVATION, ETC. WHICH MAY BE REQUIRED. THE CONTRACTOR SHALL MAKE SUCH CHANGES IN PIPING AND LOCATION OF EQUIPMENT, ETC. TO ACCOMMODATE WORK, OBSTACLES, AND WORK OF OTHER CONTRACTORS.
- INSTALL EQUIPMENT AND PIPING TO AVOID INTERFERENCE WITH THE OPERATION, SERVICE, AND MAINTENANCE OF EQUIPMENT.
- PIPES AND/OR DUCTS PENETRATING FIRE WALLS AND FLOORS SHALL BE FIRESTOPPED AS SPECIFIED. REFER TO THE ARCHITECTURAL DRAWINGS FOR FIRE WALL AND FLOOR LOCATIONS.
- ALL PHYSICAL ATTRIBUTES OF EQUIPMENT AND DEVICES ARE BASED ON THOSE MANUFACTURERS LISTED IN THE SPECIFICATIONS AND/OR THE EQUIPMENT SCHEDULES. THE RESPECTIVE CONTRACTORS ARE RESPONSIBLE FOR ALL CHANGES BROUGHT ABOUT BY USE OF ITEMS BY OTHER MANUFACTURERS. THE ARCHITECT/ENGINEER HAS RESERVED THE RIGHT TO REJECT ITEMS BY OTHER MANUFACTURERS IF THOSE ITEMS DO NOT MATCH THE PHYSICAL ATTRIBUTES OF THE MANUFACTURERS LISTED.
- THE PLUMBING CONTRACTOR SHALL VERIFY ALL INVERTS PRIOR TO PURCHASING ANY MATERIAL.

PLUMBING FIXTURE SCHEDULE

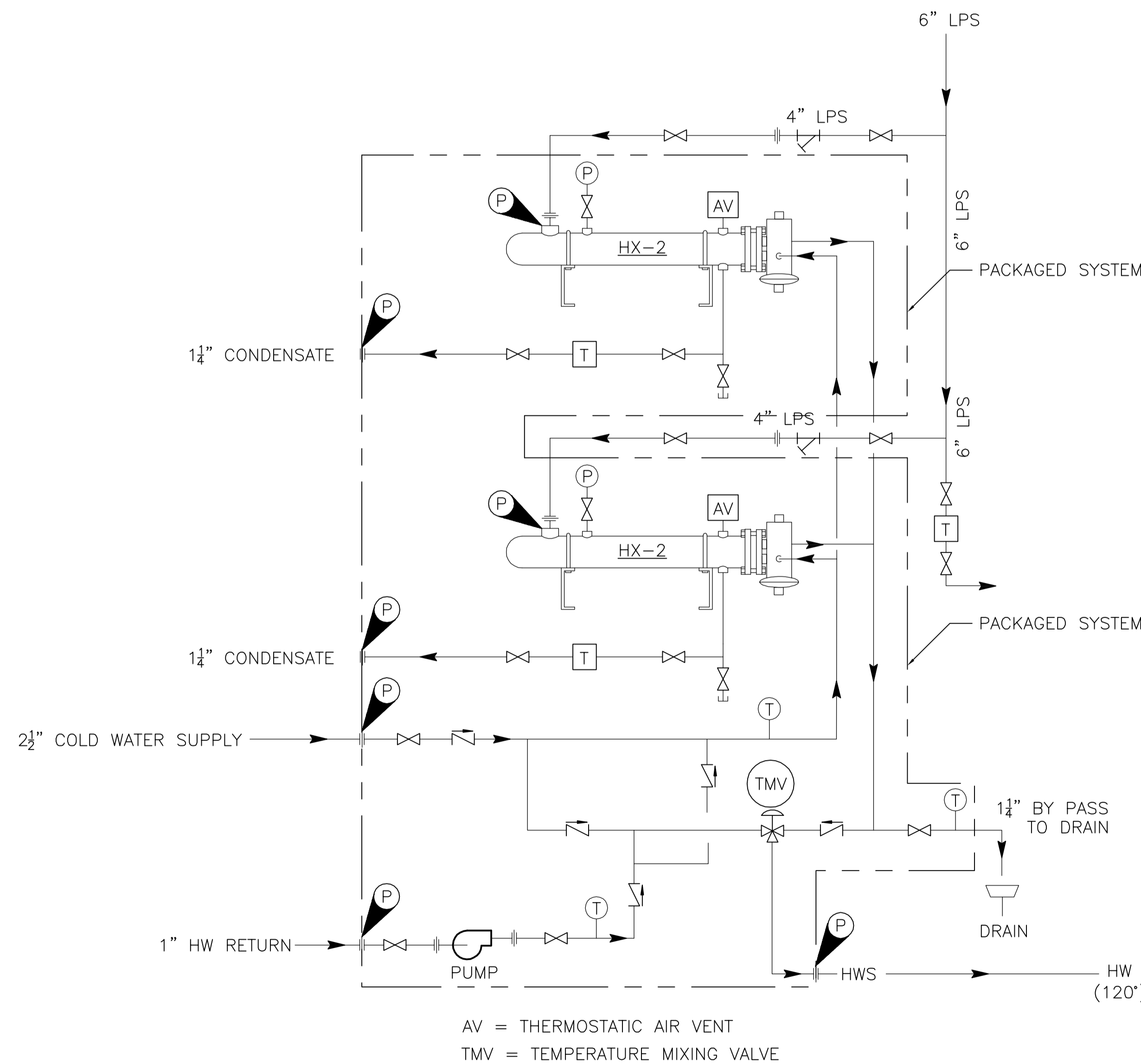
ROOM NUMBER	FIXTURE TYPE	DESCRIPTION	ACCESSORIES
123 211 310 125 213 311 135 214 313 136 217 314 205 219 317 206 220 319 207 306 320 208 307 209 308 210 309	WC-1	WHITE VITREOUS CHINA TANK TYPE FLOOR MOUNTED 1.6 GALLON PER FLUSH, ELONGATED BOWL, WATER CLOSET, ELJER 091-0755, OR APPROVED EQUAL.	1. SOLID PLASTIC ELONGATED BOWL OPEN FRONT SEAT, MODEL 124-0245. 2. 1/2"x3/8" KEYS CHROME ANGLE SHUT-OFF WITH ESCUTCHEON PLATE. 3. 3/8" BRAIDED STAINLESS STEEL SUPPLY. 4. SUPPLY FLOOR FLANGE.
117 339 118 340 137 139 140 237 239 240 337	WC-2	WHITE VITREOUS CHINA TANK TYPE FLOOR MOUNTED 1.6 GALLON PER FLUSH, ELONGATED BOWL, ADA COMPLIANT, WATER CLOSET, ELJER 091-2175, OR APPROVED EQUAL.	1. SOLID PLASTIC ELONGATED BOWL OPEN FRONT SEAT, MODEL 124-0245. 2. 1/2"x3/8" KEYS CHROME ANGLE SHUT-OFF WITH ESCUTCHEON PLATE. 3. 3/8" BRAIDED STAINLESS STEEL SUPPLY. 4. SUPPLY FLOOR FLANGE.
108 210 117 237 118 239 123 240 125 337 135 339 136 340 137 139 140 205 206 207 208 209	LAV-1	WHITE VITREOUS CHINA 20"x17" OVAL SELF-RIMMING HANDICAP COUNTER TOP LAVATORY DRILLED FOR 4" CENTERSET FAUCET, ELJER-MURRAY MODEL 051-0124, OR APPROVED EQUAL.	1. 4" CHROME CENTERSET FAUCET WITH WRIST BLADE HANDLES & GRID OUTLET, DELTA MODEL NO. 2529 HDF, OR EQUAL. 2. OFFSET HANDICAPPED DRAIN ASSEMBLY WITH ESCUTCHEON PLATE. 3. 1/2"x3/8" KEYS CHROME ANGLE SHUT-OFFS WITH ESCUTCHEON PLATES. 4. 3/8" BRAIDED STAINLESS STEEL SUPPLIES. 5. DRAIN & SUPPLY HANDICAPPED PROTECTION INSULATION KIT.
135 210 306 314 136 211 307 317 205 213 308 319 206 214 309 320 207 217 310 208 219 311 209 220 313	TS-1	AQUA GLASS TUBSHOWER, ONE PIECE PROTECTION, MODEL 326032DR/L, OR APPROVED EQUAL.	1. BATH/SHOWER TRIM KITS, FLOWISE SHOWERHEAD 1.5 GPM, AMERICAN STANDARD-COLONY T375.248. 2. PRESSURE BALANCE ROUGH VALVE BODY, MODEL R115.
137 139 140 237 239 240 337 339 340	SS-1	ADA ROLL-IN SHOWER STALL, ACCESSIBILITY PROFESSIONALS MODEL APTXSS623BF75, OR APPROVED EQUAL.	1. BATH/SHOWER TRIM KITS, FLOWISE SHOWERHEAD 1.5 GPM, AMERICAN STANDARD-COLONY T375.248. 2. PRESSURE BALANCE ROUGH VALVE BODY, MODEL R115. 3. U SHAPED GRAB BAR.
106 108 201 301	MS-1	24"x24" SQUARE 8" MOP SERVICE BASIN, MUSTEE MODEL 62M, OR APPROVED EQUAL.	1. INTEGRALLY CAST BRASS DRAIN WITH STAINLESS STEEL STRAINER. 2. TYPE 304 STAINLESS STEEL 20 GAUGE BACK PANELS 12" HIGH, WITH CORNER FITTING. 3. CHROME PLATED 8" CENTER CAST BRASS SERVICE SINK FITTING WITH VACUUM BREAKER, 3/4" HOSE THREAD OUTLET, PALL HOOK WITH WALL SUPPORT, STRAIGHT INLET SHANK WITH FLANGE & 2-1/2" METAL LEVER HANDLE, CHICAGO FAUCETS MODEL NO. 540-LD-8975-WXF, OR EQUAL. 4. 36" LONG 3/4" HOSE WITH CHROME COUPLING & WALL HOSE HOOK. 5. 24" LONG STAINLESS STEEL MOP HANGER WITH 3 SPRING LOADED GRIPS.
135 210 306 314 136 211 307 317 205 213 308 319 206 214 309 320 207 217 310 208 219 311 209 220 313	SK-1	STAINLESS STEEL, 25"x22" SELF-RIMMING SINGLE COMPARTMENT, 20 GA., KOHLER MODEL K3348, OR APPROVED EQUAL.	1. FAUCET, SINGLE HANDLE, WITH SPRAYER CHROME PLATED, ELKAY MODEL LK-4101, OR EQUAL. 2. INCLUDE BASKET STRAINER WITH STOP, CHROME PLATED, ELKAY MODEL LK-99.
137 240 139 337 140 339 237 340 239	SK-2	STAINLESS STEEL, 25"x22"x6" ADA COMPLIANT, SELF-RIMMING SINGLE COMPARTMENT, 20 GA., KINDRED MODEL PSS603BX, OR APPROVED EQUAL.	1. FAUCET, SINGLE HANDLE, WITH SPRAYER CHROME PLATED, ELKAY MODEL LK-4101, OR EQUAL. 2. INCLUDE BASKET STRAINER WITH STOP, CHROME PLATED, ELKAY MODEL LK-99.
114	SK-3	STAINLESS STEEL, 33"x22"x6.5" SELF-RIMMING DOUBLE COMPARTMENT, 20 GA., HOUZER MODEL A3322-65BS4, OR APPROVED EQUAL.	1. FAUCET, SINGLE HANDLE, WITH SPRAYER CHROME PLATED, ELKAY MODEL LK-4101, OR EQUAL. 2. INCLUDE BASKET STRAINER WITH STOP, CHROME PLATED, ELKAY MODEL LK-99.
114	FD-1	FLOOR DRAIN, LACQUERED CAST IRON BODY, NICKEL BRONZE STRAINER, BOTTOM OUTLET. MIFAB MODEL F1100*	1. STRAINER DIAMETER 8" IN MECHANICAL ROOMS AND 5" IN OTHER AREAS.
	RD-1	8" DIAMETER SMALL AREA ROOF DRAIN, DURA COATED CAST IRON BODY, CAST IRON DOME STRAINER, ZURN MODEL RD2090	1. NO HUB OUTLET
	RD-2	OBLIQUE SCUPPER DRAIN, CAST IRON BODY WITH GRATE, ZURN MODEL Z187	1. NO HUB OUTLET
121 123 125 127	DWH-1	ELECTRIC MINI TANK WATER HEATER, ARISTON MODEL GL2.5	1. 2.75 GAL 2. 110/120V, 12.5A



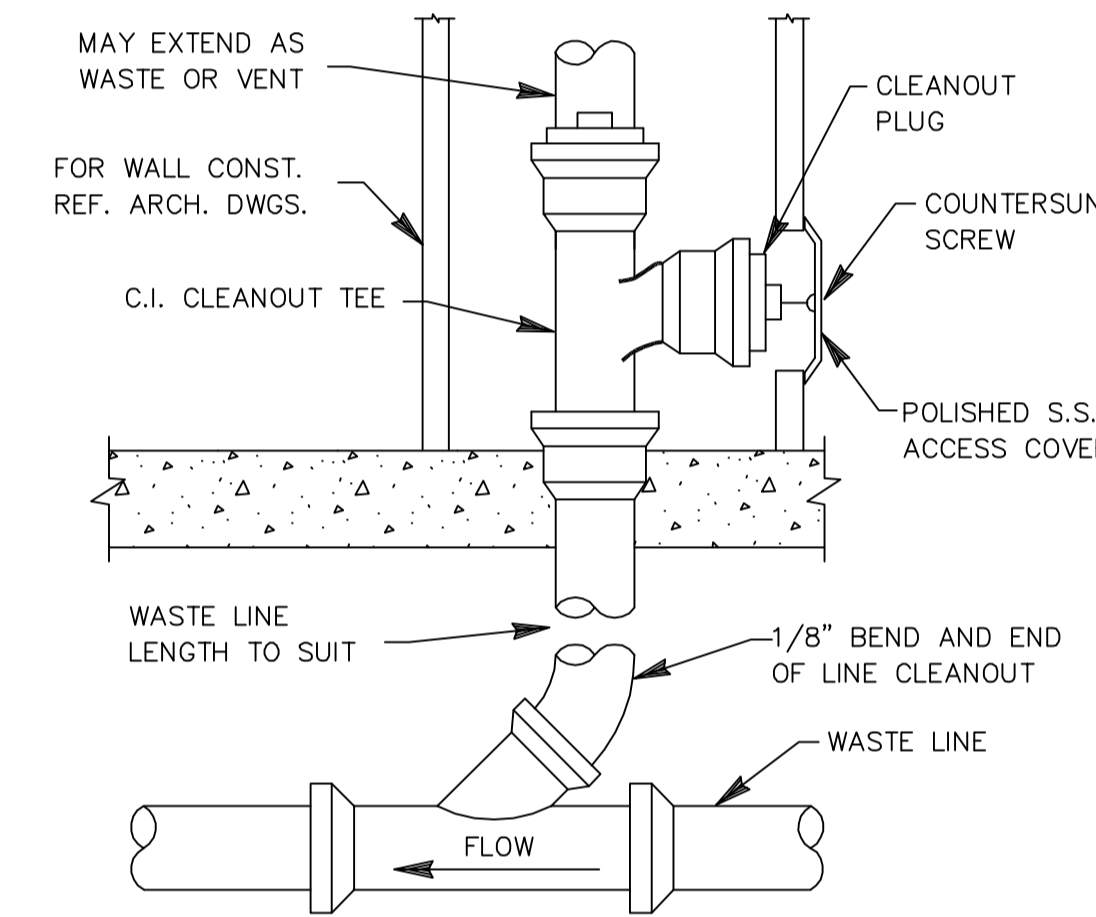
WATER SERVICE SYMBOL KEY:

- ① 3" DOMESTIC WATER SERVICE
- ② 3" OS&Y GATE VALVE
- ③ 3"x2" FLANGED REDUCER
- ④ 2" COMPOUND WATER METER BY WATER COMPANY
- ⑤ 3" PRESSURE REDUCING VALVE - WATTS SERIES N223N
- ⑥ APPROVED EPOXY COATED 3" RPZ WATTS 909 NRS ASSEMBLY
- ⑦ 3" RELIEF VALVE DISCHARGE LINE W/AIR GAP FITTING TO 4" SANITARY FLOOR DRAIN
- ⑧ 3" COLD WATER SUPPLY
- ⑨ PIPE STANCHION
- ⑩ PRESSURE GAUGE

WATER SERVICE PARTIAL PLAN
SCALE: 1/2" = 1'-0"



STEAM TO DOMESTIC WATER HEAT EXCHANGER PIPING ARRANGEMENT (HX-2)
SCALE: NONE



TYPICAL WALL CLEANOUT DETAIL
SCALE: NONE

NOTICE

This document, the property of, prepared and issued by the architect, is submitted for the specific project named and the recipient by accepting this document assumes custody and agrees that this document will not be copied or reproduced in part or in whole, and any special features peculiar to this design shall not be incorporated in any other project, unless prior agreement has been obtained in writing. These documents will be returned immediately upon completion of the project or upon the request of the architect.

This document is the exclusive property of the architect, no rights to ownership are transferable, or shall be lost by the filing of this document with any and all public authorities for the purpose of compliance with Codes and or Ordinances, i.e. Building Form, etc.

ERDMAN ANTHONY

2165 Brighton Henrietta Town Line Rd.
Rochester, NY 14623-2755
Telephone 585 427 8866
Facsimile 585 427 8914
www.erdmananthony.com

CHURCH OF THE HOLY FAMILY SENIOR APARTMENTS

920 TIFFT ST.
BUFFALO, NY 14220

REVISIONS:

SA PROJECT TEAM: PRINCIPAL P. Silvestri
SR ARCH. JR ARCH.
DRAWN BY: BTD CHECKED BY: RJ

SEAL:



TITLE:

DOMESTIC WATER AND DRAINAGE PARTIAL PLANS & DETAILS



SILVESTRI ARCHITECTS PC

80 PINEVIEW DRIVE PH. 716.691.0900
AMHERST, NY 14228 FAX 716.691.4773

SA JOB #: 04312 DATE: 12-11-09

DRAWING #: P-500