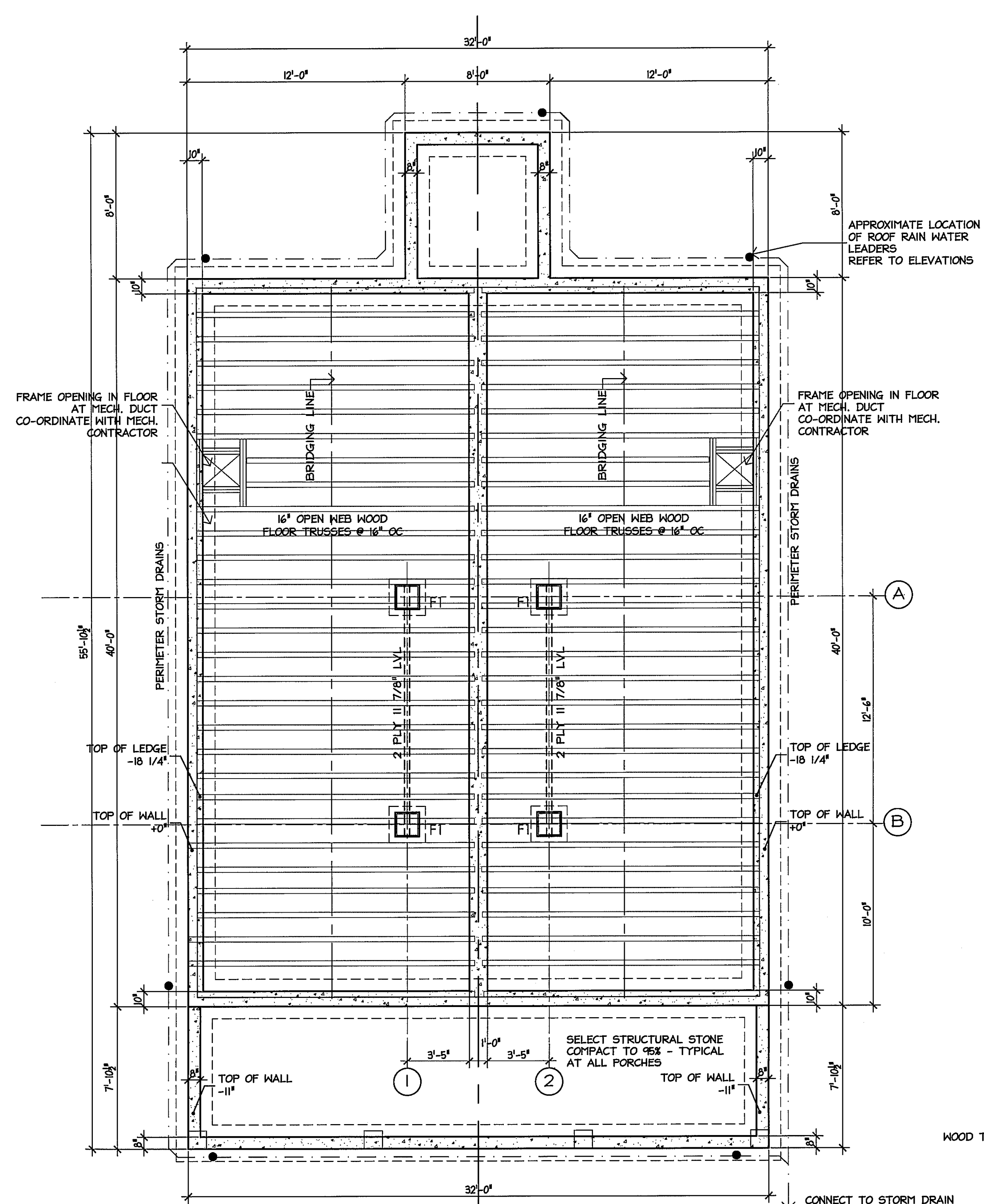
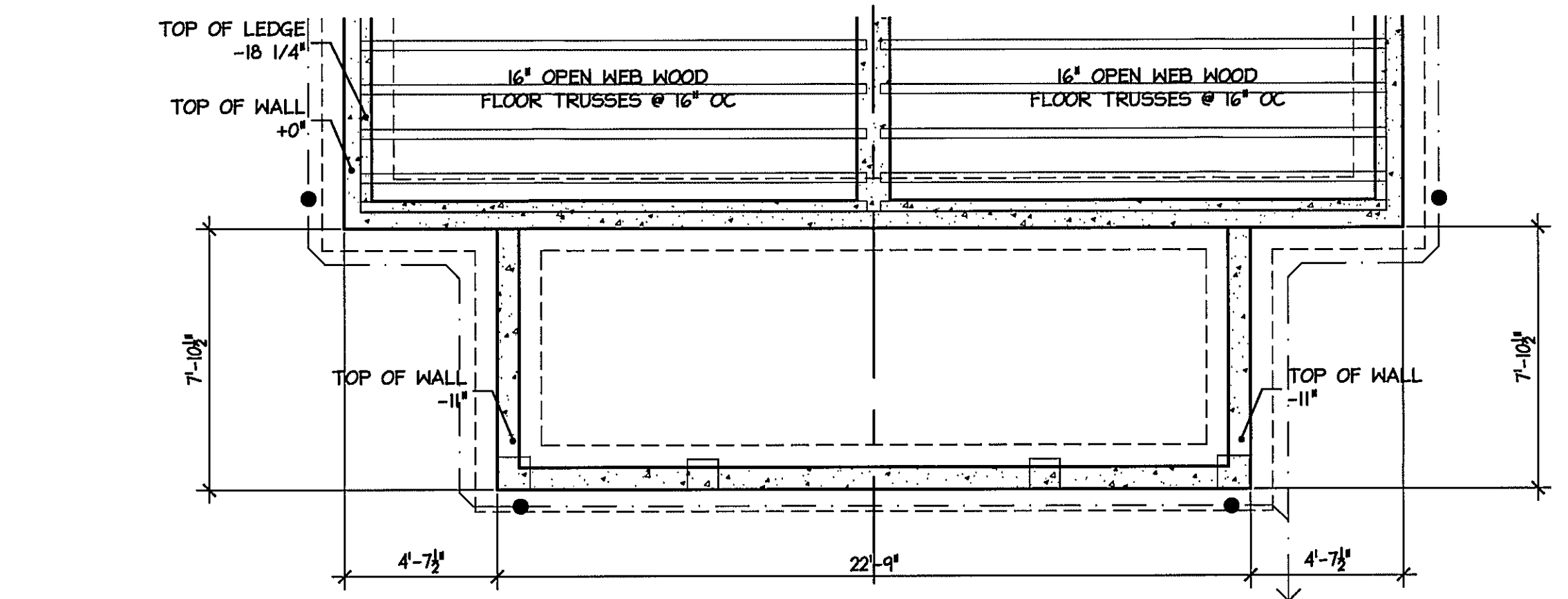


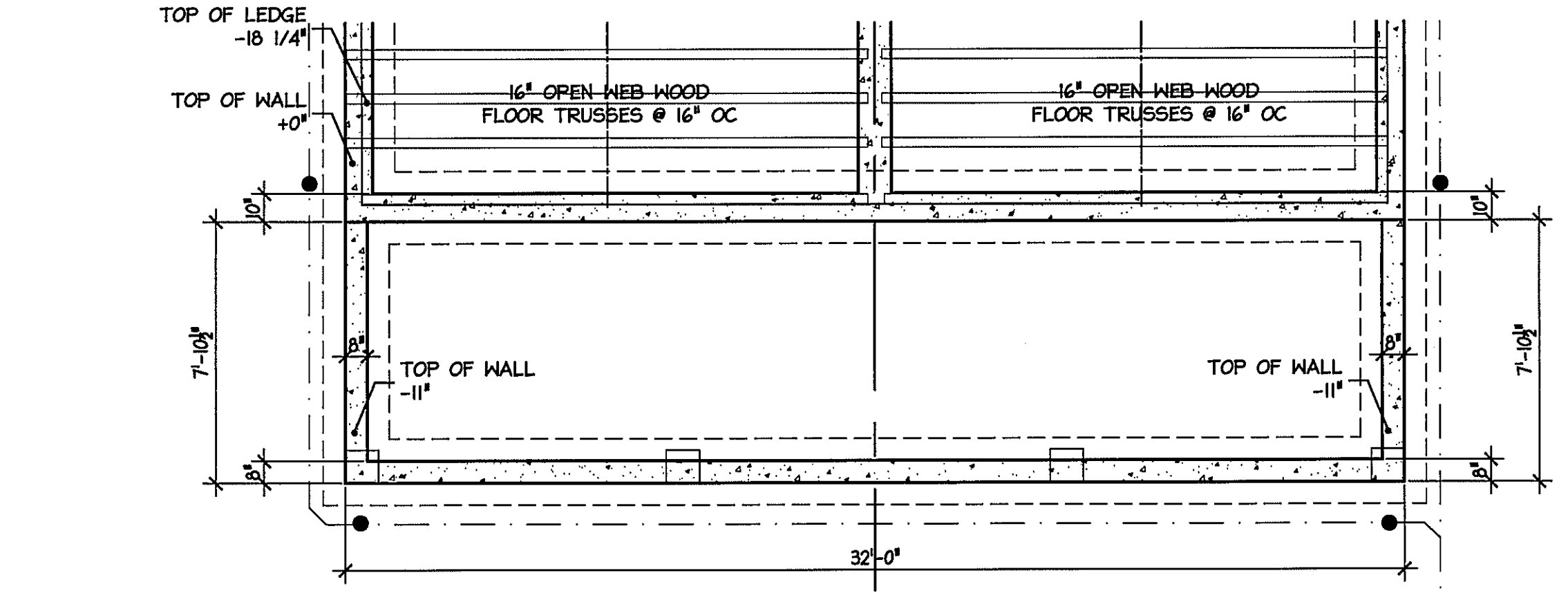
CENTER COURT REVITALIZATION
 Niagara Falls, New York
 STIEGLITZ SNYDER ARCHITECTURE PROJECT 06.21



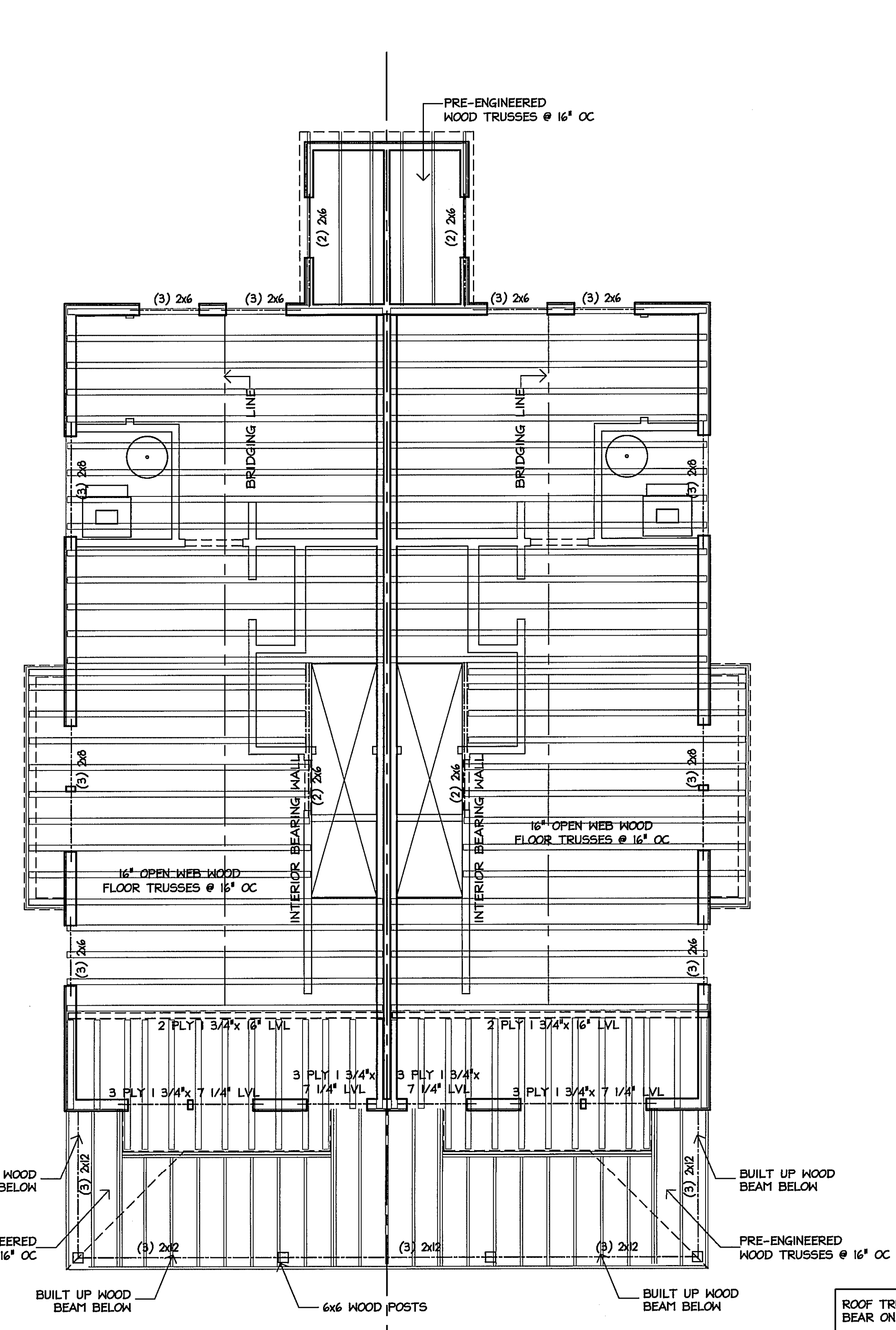
FOUNDATION/FIRST FLOOR FRAMING PLAN - UNIT D1
 SCALE 1/4" = 1'-0"



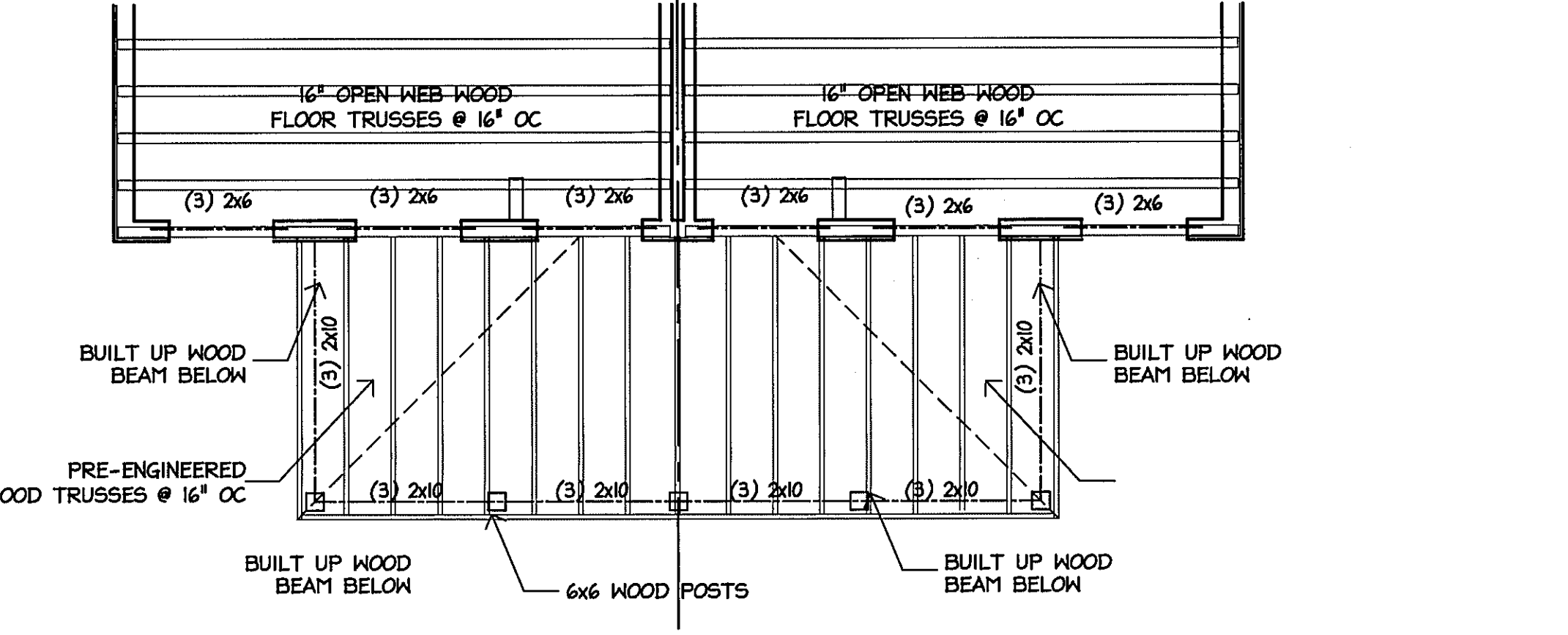
FOUNDATION/FIRST FLOOR FRAMING PLAN - UNIT D2
 SCALE 1/4" = 1'-0"



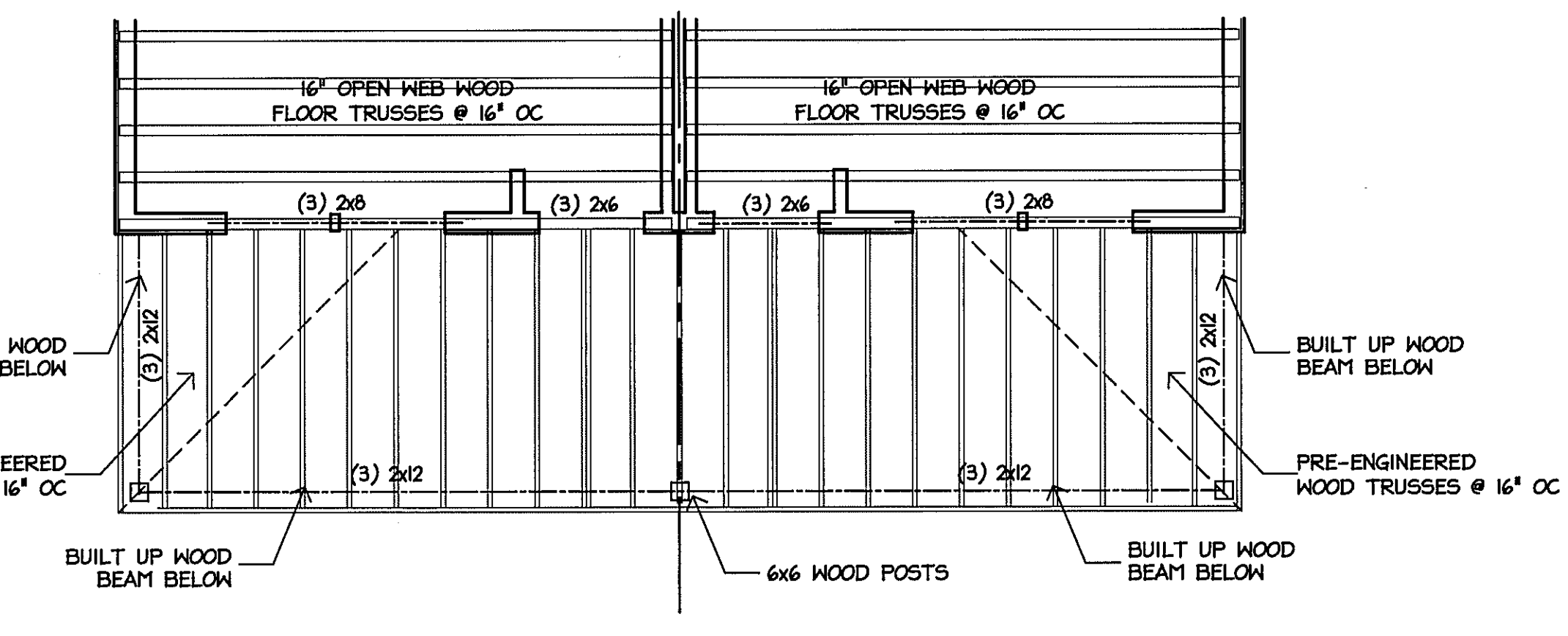
FOUNDATION/FIRST FLOOR FRAMING PLAN - UNIT D3
 SCALE 1/4" = 1'-0"



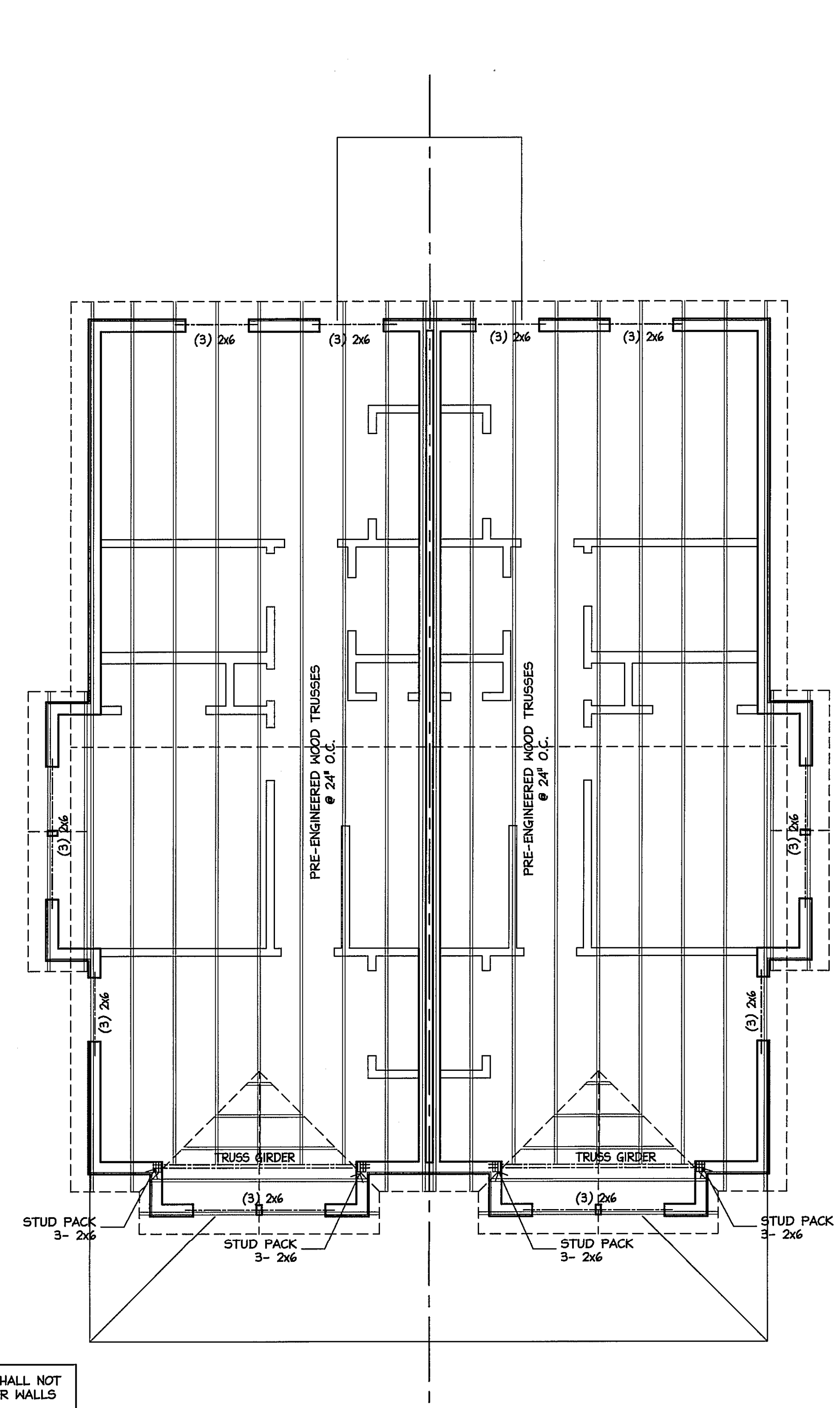
SECOND FLOOR FRAMING PLAN - UNIT D1
 SCALE 1/4" = 1'-0"



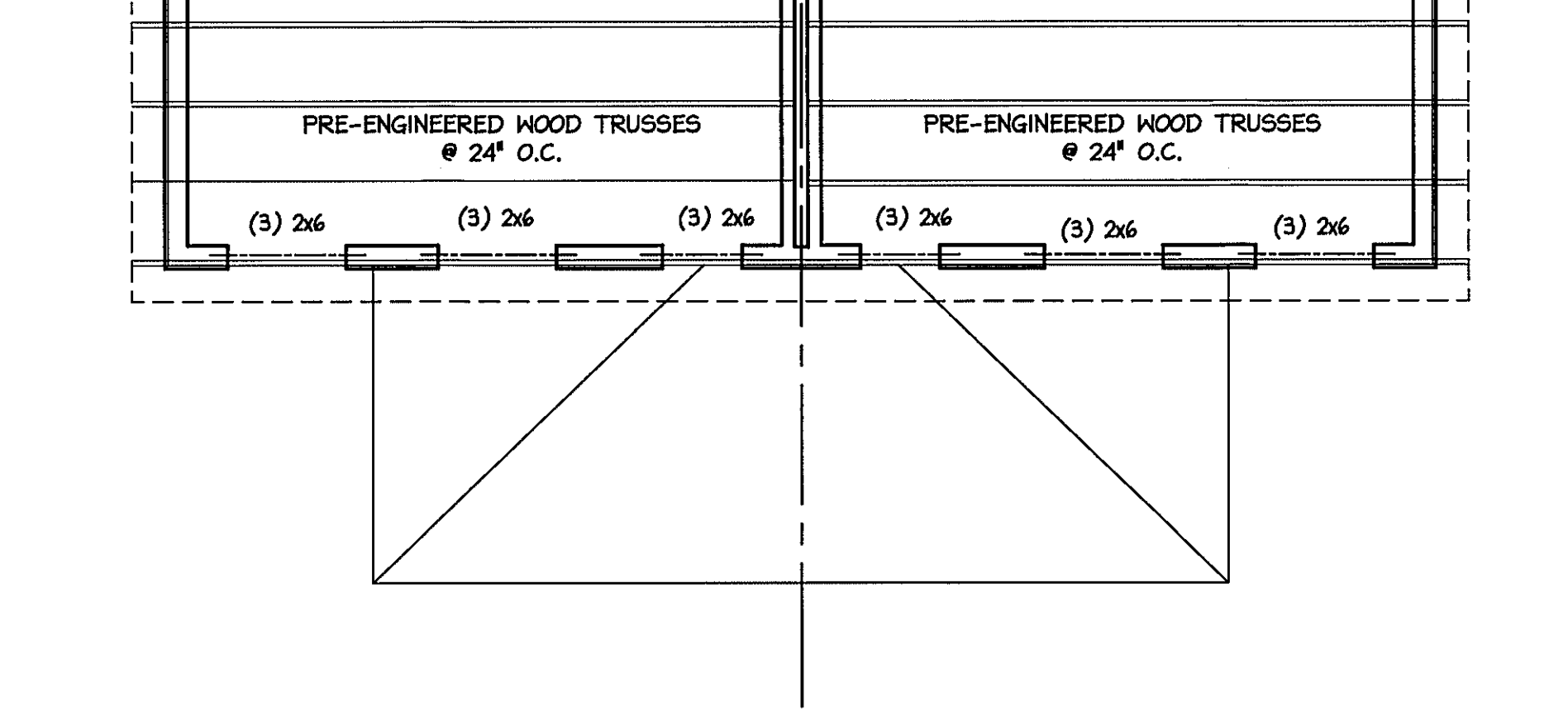
PARTIAL SECOND FLOOR FRAMING PLAN - UNIT D2
 SCALE 1/4" = 1'-0"



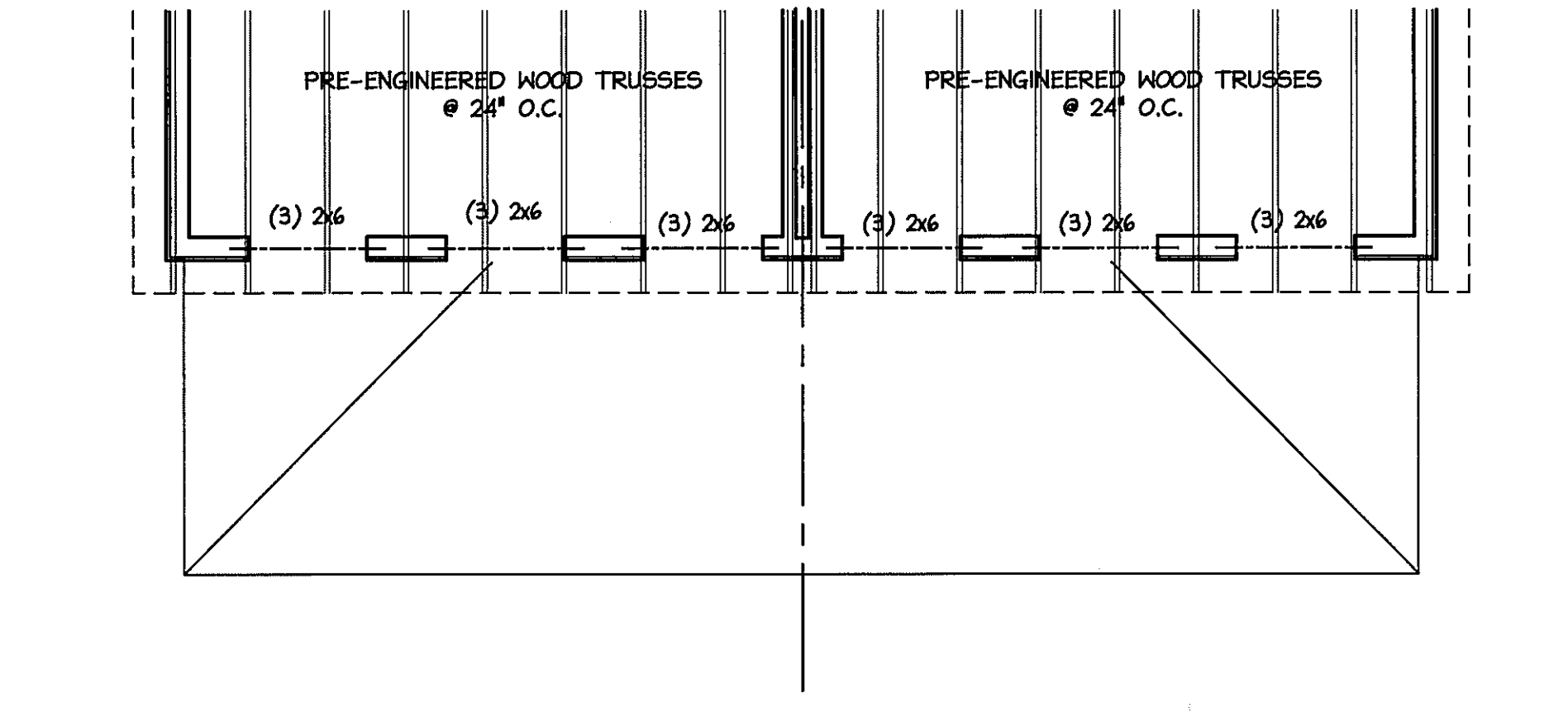
PARTIAL SECOND FLOOR FRAMING PLAN - UNIT D3
 SCALE 1/4" = 1'-0"



ROOF FRAMING PLAN - UNIT D1
 SCALE 1/4" = 1'-0"



PARTIAL ROOF FRAMING PLAN - UNIT D2
 SCALE 1/4" = 1'-0"



PARTIAL ROOF FRAMING PLAN - UNIT D3
 SCALE 1/4" = 1'-0"

STIEGLITZ SNYDER ARCHITECTURE RETAINS ALL COPYRIGHT RIGHTS INCLUDING COPYRIGHT OF THE DOCUMENT AND THE DESIGN HEREIN. ANY REUSE OF THIS DOCUMENT OR THE INFORMATION CONTAINED THEREIN WITHOUT THE WRITTEN PERMISSION OF STIEGLITZ SNYDER ARCHITECTURE IS STRICTLY PROHIBITED. THE USER AGREES TO HOLD STIEGLITZ SNYDER ARCHITECTURE HARMLESS FROM ANY AND ALL CLAIMS, DAMAGES, LOSSES OR COSTS, INCLUDING REASONABLE ATTORNEY'S FEES, ARISING OUT OF OR RESULTING FROM THE USE OF THIS DOCUMENT.

REVISIONS	

DRAWN BY CBC	CHECKED BY
SCALE AS NOTED	DATE Nov. 15, 2007

**UNIT TYPE D
 FOUNDATION /
 FRAMING PLANS
 S101D**