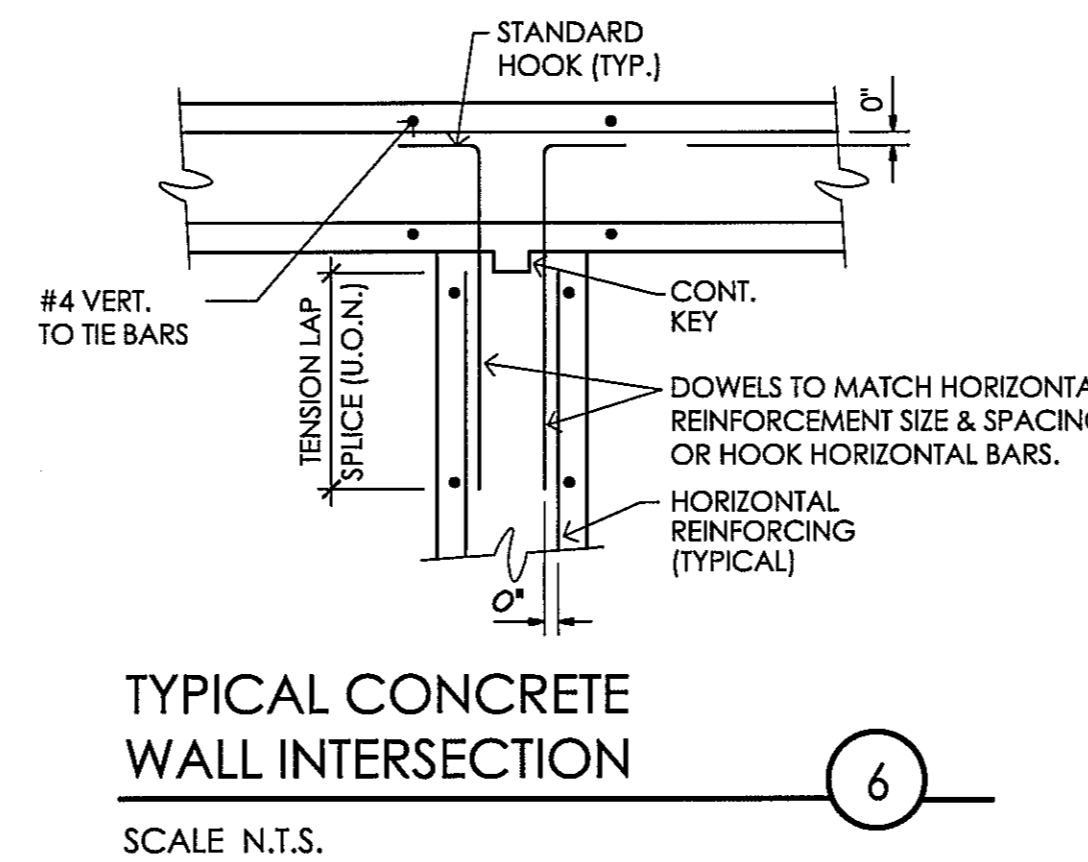
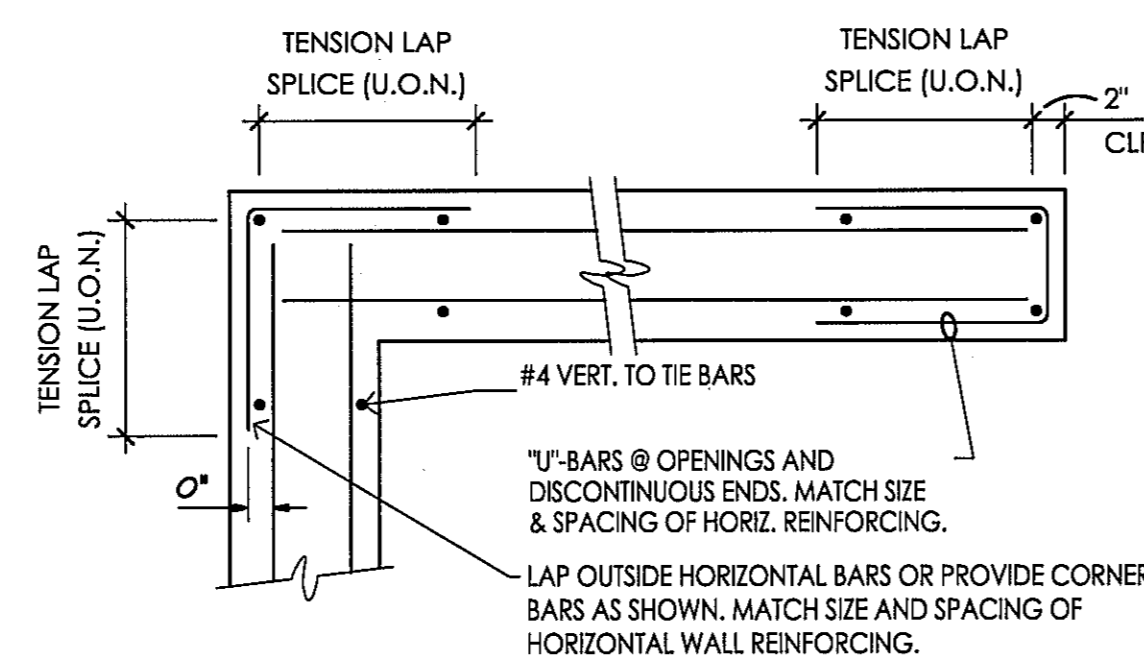
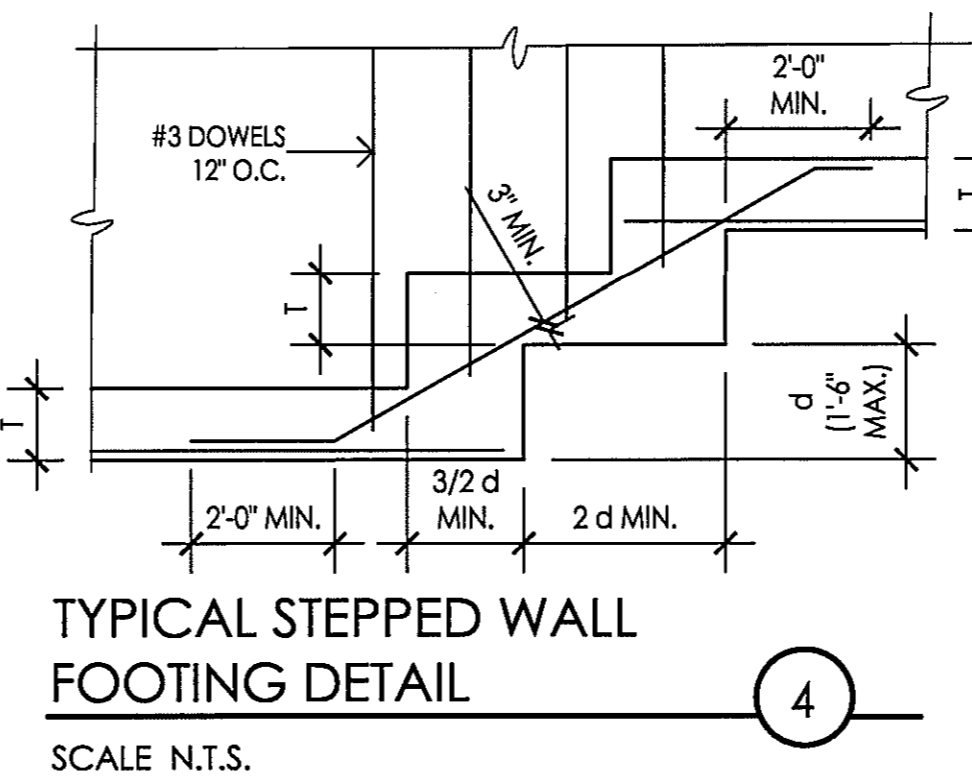
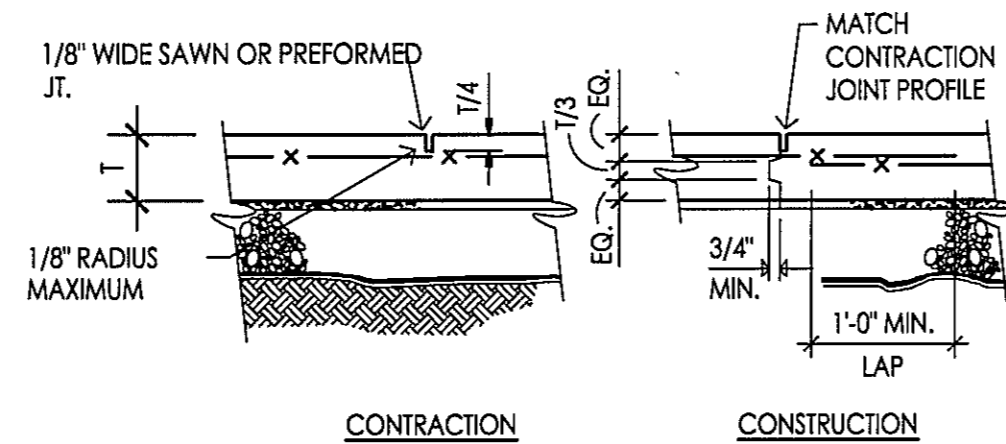
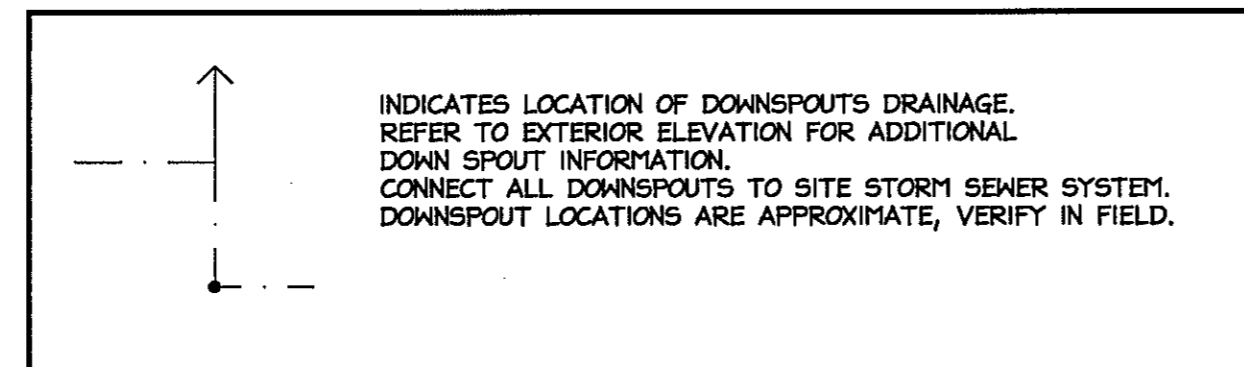


BEAM POCKET IN CONC. WALL
SCALE 1 1/2" = 1'-0"

PIER DETAIL
SCALE 1 1/2" = 1'-0"



DOWN SPOUTS AND FOUNDATION DRAINAGE



FOOTING SCHEDULE

TYPE	SIZE	REINFORCING E.W. BOTTOM
F1	2'-3" x 2'-3" x 10" DEEP	(3) #4
F2	10" DEEP STRIP FOOTING	(2) #4 CONT.

FOUNDATION GENERAL NOTES

(1) PRODUCTS AND MATERIALS USED SHALL CONFORM WITH THE FOLLOWING:

- PORTLAND CEMENT - ASTM C-150
- AIR ENTRAINING AGENT - DAREX OR MEVR
- REINFORCING BARS - ASTM A-615 GR. 60 TYP.
- WELDED WIRE FABRIC - ASTM A-185
- STRUCTURAL STEEL SHAPES - ASTM A-992 GR.50
- STRUCTURAL CHANNELS A572 -GR.50
- STRUCTURAL PLATES, BAR, AND ANGLES - ASTM A-36
- STRUCTURAL PIPE - ASTM A53 GR. B
- STRUCTURAL BOLTS, NUTS & WASHERS - ASTM A-325
- ANCHOR BOLTS - ASTM A-307

(2) FOUNDATIONS

EXPOSED SUBGRADE SOILS MAY BE SENSITIVE TO DISTURBANCE AND A REDUCTION IN STRENGTH WHEN IN CONTACT WITH MOISTURE. CONTROL SURFACE AND GROUNDWATER BY APPROPRIATE MEANS AND AVOID CONSTRUCTION TRAFFIC OVER EXPOSED SUBGRADES.

FOUNDATIONS SHALL BE PLACED ON HAND CLEANED, LEVEL, SOIL AT THE ELEVATIONS NOTED ON PLAN. IN NO CASE SHALL EXTERIOR CONSTRUCTION BEAR AT AN ELEVATION OF LESS THAN FOUR FEET BELOW EXTERIOR FINISHED GRADE.

ALL FOOTING EXCAVATIONS ARE TO BE FINISHED BY HAND. COMPACT FOOTING SUBGRADES TO A MINIMUM OF 95% OPTIMUM DENSITY AS MEASURED BY ASTM D697. CONCRETE FOR FOOTINGS SHALL BE PLACED THE SAME DAY AS THE EXCAVATION OR PROTECT SUBGRADE BY IMMEDIATELY PLACING A THREE INCH THICK LEAN CONCRETE MUD MAT.

ALL FOUNDATION WALLS SHALL BE ADEQUATELY BRACED BEFORE BACKFILLING. BACKFILL SHALL BE UNIFORMLY PLACED AND COMPACTED ON BOTH SIDES OF WALLS AT THE SAME TIME.

SHOULD OBSTRUCTIONS OR OTHERWISE UNDESIRABLE SOIL CONDITIONS BE ENCOUNTERED, THE ARCHITECT SHALL BE NOTIFIED IMMEDIATELY.

(3) CONCRETE SHALL BE THE STANDARD DESIGN MIX OF ANY OF THE LOCAL READY-MIX SUPPLIERS APPROVED BY THE N.Y.S.D.O.T. AND MEETING THE FOLLOWING MINIMUM REQUIREMENTS (DESIGN MIXES TO BE SUPPLIED TO THE ARCHITECT FOR APPROVAL)

FOUNDATION WALLS AND FOOTINGS, GRADE BEAMS, SLABS, AND SITCHORS: 3000 PSI, 3" SLUMP, 5% ENTRAINED, 0.40 MAX W/C RATIO

THE CONTRACTOR SHALL TAKE FOUR (4) STANDARD CYLINDERS FOR EACH 50 CU.YD. OF CONCRETE POURED IN ANY ONE DAY AND THE TESTING LABORATORY SHALL PERFORM THE STANDARD 7-DAY (TWO CYLINDER) AND 28-DAY (TWO CYLINDER) TESTS.

PROTECTION FOR REINFORCING IN CONCRETE:

FOOTINGS - 3" COVER BOTTOM AND SIDES

WALLS AND GRADE BEAMS - 2" SIDES AND 3" BOTTOM

PIERS - 2" SIDES

FLOOR SLABS - 1" TOP AND BOTTOM

ALL CONCRETE REINFORCEMENT SHALL BE DETAILED AND PLACED IN FULL ACCORDANCE WITH THE ACI CODE OF STANDARD PRACTICE.

MINIMUM REINFORCEMENT LAPS - 36 DIA. FOR BARS AND 6" BEYOND FIRST INTACT CROSS WIRES FOR WELDED WIRE MESH.

WELDED WIRE MESH TO BE PLACED IN UPPER 1/3RD OF SLAB TYPICALLY.

BARS MARKED CONTINUOUS SHALL RUN CONTINUOUS THROUGH THE WALLS, AROUND CORNERS, LAPPED AT NECESSARY SPLICES AND HOOKED AT ENDS. REINFORCEMENT SHALL BE CONTINUOUS THROUGH ALL CONSTRUCTION JOINTS UNLESS OTHERWISE INDICATED ON THE DRAWINGS.

PROVIDE 2 - #6'S CONTINUOUS TOP AND BOTTOM OF ALL CONCRETE WALLS AND GRADE BEAMS, UNLESS OTHERWISE SPECIFICALLY NOTED.

PROVIDE 2 - #5'S X 30" LONG PLACED DIAGONALLY ACROSS EACH REINTEGRANT CORNER OF SLABS AND WALLS.

SUPPORT REINFORCING BARS IN ACCORDANCE WITH THE ACI CODE OF STANDARD PRACTICE. USE GALVANIZED OR STAINLESS STEEL EXCEPT WHERE BAR SUPPORTS ARE IN CONTACT WITH EXPOSED SURFACES, IN WHICH CASE THEY SHALL BE GALVANIZED AND PLASTIC TIPPED.

CURING - ALL SURFACES NOT IN CONTACT WITH FORMS SHALL BE COATED THE SAME DAY OF THE POUR WITH ONE COAT OF AN APPROVED CHLORINATED RUBBER BASED CURING COMPOUND. FORMS SHALL REMAIN IN PLACE MINIMUM OF 4-DAYS IF FORM CURING IS USED.

(4) NON-SHRINK GROUT SHALL BE MASTER BUILDERS - "SET GROUT", US GROUT CORPS - "S-STAR", OR APPROVED EQUAL MIXING AND PLACEMENT SHALL BE IN STRICT ACCORDANCE WITH THE MANUFACTURER'S RECOMMENDATIONS.

(5) SHOP DRAWINGS FOR BAR REINFORCEMENT, STRUCTURAL STEEL SHALL BE FURNISHED FOR REVIEW AND APPROVAL. NO FABRICATION SHALL BE STARTED UNTIL DRAWINGS ARE STAMPED. MAKE CORRECTIONS NOTED OR NO EXCEPTIONS TAKEN. MAXIMUM REQUIREMENT - 1 SEPIA AND 4 PRINTS. CONTRACTOR SHALL MAKE ADDITIONAL PRINTS AS REQUIRED.

(6) INSPECTION AND TESTING - AS OUTLINED ABOVE UNDER CONCRETE, SHALL BE FURNISHED BY A TESTING LABORATORY APPROVED BY THE OWNER.

SPECIAL NOTES FOR PREFABRICATED ROOF TRUSS UNITS

A. SUBMIT: PRODUCT DATA, METAL CONNECTOR PLATES, HARDWARE, FABRICATION PROCESS, FASTENERS AND METAL FRAMING ANCHORS. SHOP DRAWINGS INDICATING SIZES, FITS, SPAN, CAMBER, CONFIGURATION AND SPACING FOR EACH TYPE OF TRUSS REQUIRED; TYPE, SIZE, MATERIAL, FINISH, DESIGN VALUES, AND LOCATION OF METAL CONNECTOR PLATES; AND BEARING AND ANCHORAGE DETAILS.

B. THE DESIGN OF THESE PREFABRICATED BUILDING COMPONENTS, FOR THE FLOOR AND ROOF LOADS PROVIDED, SHALL BE THE RESPONSIBILITY OF THE FABRICATOR. INCLUDE DESIGN ANALYSIS INDICATING LOADING, ALLOWABLE STRESSES OF MATERIALS USED, STRESS DIAGRAMS, AND CALCULATIONS, AND OTHER INFORMATION NEEDED FOR REVIEW THAT HAVE BEEN SIGNED AND SEALED BY A QUALIFIED ENGINEER, LICENSED TO PRACTICE IN THE JURISDICTION WHERE THE PREFABRICATED WOOD UNITS WILL BE INSTALLED. RESPONSIBILITY FOR THEIR PREPARATION SHALL REST WITH THE FABRICATOR'S ENGINEER(S).

C. MINIMUM DESIGN LOADINGS:

PREFABRICATED ROOF TRUSSES

TOP CHORDS LL = 50 PSF
BOTTOM CHORDS DL = 5 PSF
WIND LOAD (GROSS) WL = 8 PSF UPLIFT

ROOF CONSTRUCTION WHERE TRUSSES ARE BUILT OVER TRUSSES AS INDICATED ON THE PLANS SHALL BE DESIGNED WITH THE ADDITIONAL DEAD LOAD OF THE TRUSSES AND THE TOP CHORD SHALL BE GIVEN CONSIDERATION TO POINT LOADS WHICH WILL OCCUR FROM THESE TRUSSES BEARING DIRECTLY ON THEM.

D. PREFABRICATED ROOF TRUSSES INCLUDE PLANAR STRUCTURAL UNITS CONSISTING OF HIGH QUALITY CHORD AND WEB COMPONENTS METAL PLATE CONNECTED MEMBERS WHICH HAVE BEEN CUT AND ASSEMBLED PRIOR TO DELIVERY TO THE JOB SITE.

E. COMPLY WITH APPLICABLE REQUIREMENTS OF AISI SPECIFICATION FOR THE DESIGN OF COLD FORMED STEEL STRUCTURAL MEMBERS (LATEST EDITION). SUBMIT FABRICATOR'S TECHNICAL DATA COVERING HARDWARE, FABRICATION PROCESS, TREATMENT (IF ANY), HANDLING AND ERECTION. SUBMIT CERTIFICATE, SIGNED BY AN OFFICER OF FABRICATING FIRM, INDICATING THAT UNITS TO BE SUPPLIED FOR PROJECT COMPLY WITH INDICATED REQUIREMENTS.

F. ERECT AND BRACE UNITS TO COMPLY WITH APPLICABLE REQUIREMENTS OF THE TRUSS DESIGN WHERE UNITS DO NOT FIT, RETURN THEM TO THE FABRICATOR AND REPLACE WITH UNITS OF CORRECT SIZE. DO NOT ALTER UNITS IN FIELD. ERECT UNITS WITH PLANE OF TRUSS WEBS VERTICAL (PLUMB) AND PARALLEL TO EACH OTHER, LOCATED ACCURATELY AT DESIGN SPACINGS INDICATED. HOIST UNITS IN PLACE BY MEANS OF LIFTING EQUIPMENT SUITED TO TYPES OF TRUSSES REQUIRED, EXERCISE CARE NOT TO DAMAGE UNITS OR JOINTS BY OUT-OF-PLANE BENDING OR OTHER CAUSES. ANCHOR UNITS SECURELY AT ALL BEARING POINTS TO COMPLY WITH METHODS AND DETAILS INDICATED. INSTALL PERMANENT BRACING AND RELATED COMPONENTS TO ENABLE UNITS TO MAINTAIN DESIGN SPACING, WITH STAND LIVE AND DEAD LOADS INCLUDING LATERAL LOADS, AND COMPLY WITH OTHER INDICATED REQUIREMENTS. DO NOT CUT OR REMOVE TRUSS OR JOIST MEMBERS.

G. MEMBERS MUST BE HELD STRAIGHT AND PLUMB AT THEIR DESIGN SPACING WHILE ALL BRACING IS APPLIED. LATERAL BRACING SHOULD BE INSTALLED AS SPECIFIED BY MANUFACTURER AT SUPPORT LOCATIONS. ANCHOR TRUSSES SECURELY AT ALL BEARING POINTS TO COMPLY WITH METHODS AND DETAILS INDICATED.

H. DO NOT CUT OR REMOVE ANY PORTION OF MEMBERS CHORDS OR WEBS.



STIEGLITZ SNYDER ARCHITECTURE

425 FRANKLIN STREET
BUFFALO, NEW YORK 14202
716.828.7164
www.stieglitzsnyder.com

CONSULTANTS

Torfi Galas and Partners, Inc.
1300 Spring Street,
4th Floor
Silver Spring, MD 20910
301.588.4800
www.torfigalaschic.com

Structural Engineer
Jansen-Kiener Consulting
Engineers
429 Franklin Street
Buffalo, NY 14202
(716) 854-3508 T.
(716) 854-1984 F.

MSP Engineer
Buffalo Engineering, P.C.
4245 Union Road, Suite 204
Buffalo, NY 14225
(716) 633-5300 T.
(716) 633-5598 F.

Civil Engineer and Landscape
C & S Engineering
90 Broadway Ave
Buffalo, NY 14203

CENTER COURT REVITALIZATION
Niagara Falls, New York

STIEGLITZ SNYDER ARCHITECTURE PROJECT 06.21

REVISIONS

DRAWN BY: CBC
CHECKED BY:

SCALE: AS NOTED

DATE: Nov. 15, 2007

UNIT TYPE A
STRUCTURAL NOTES
AND DETAILS

S102A